

CONTENTS 目录

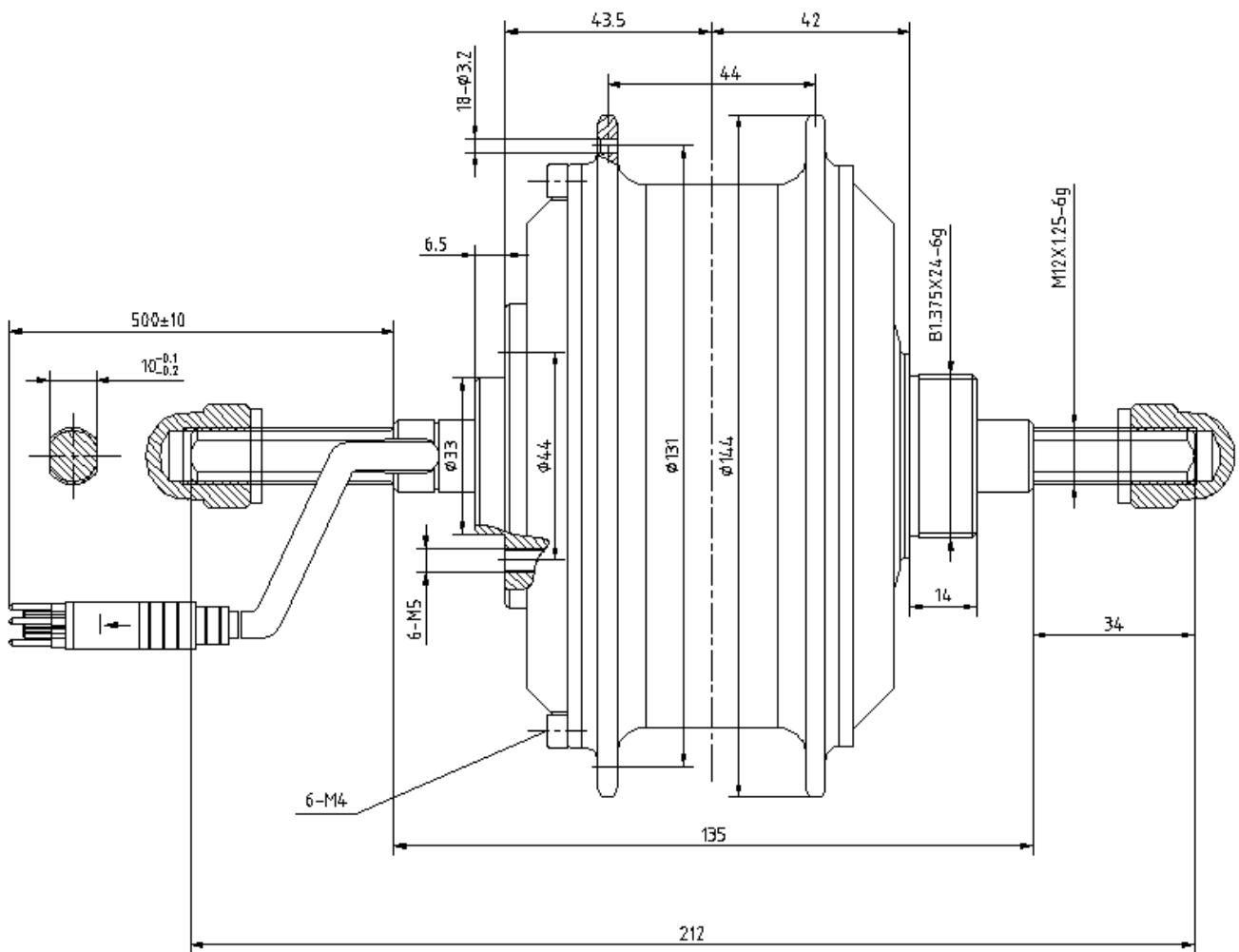
1. Φ 144 系列	page1
2. Φ 154 系列	page2
3. Φ 160 系列	page3
4. Φ 165 系列	page4
5. Φ 230 系列	page5
6. Φ 250 系列	page6
7. Φ 252 系列	page7
8. Φ 253 系列	page8
9. Φ 257 系列	page9
10. Φ 321 系列	page10
11. Φ 329 系列	page11-12
12. Φ 321 系列	page13-14
13. Φ 420 系列	page15
14. Φ 456 系列	page16-17

144 HUB Motor



Item	General Specifications
Motor type	Outer Rotor BLDC Motor
Rated Voltage	36 VDC
Rated Power	200 W
Rated Speed	300 rpm
Rated Torque	6.5 Nm
IP Class	IP54/IP67
Wheel Dia.	16"-28"
Part no.	M036XE0065-144-85

Dimensions

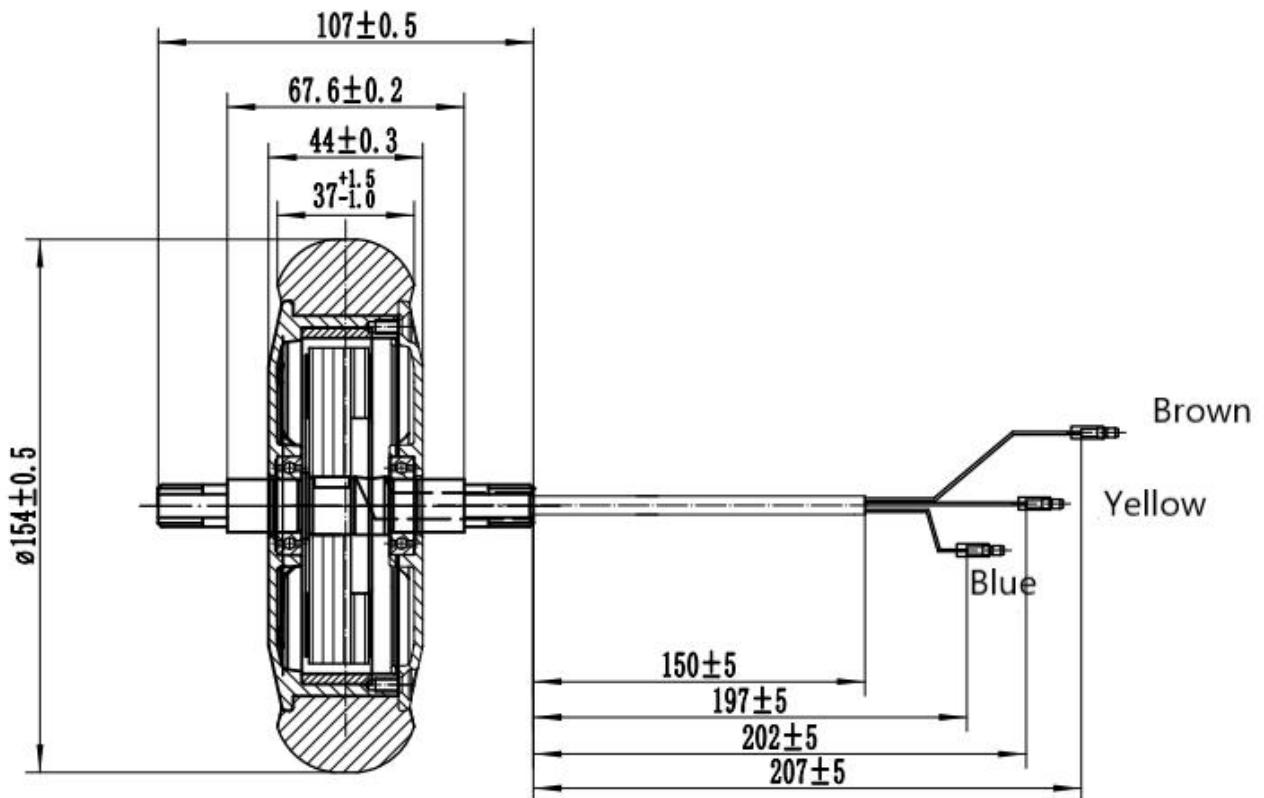


154 HUB Motor



Item	General Specifications
Rated Voltage	24 VDC
Rated Power	100 W
No load speed	900 rpm
Brake Type	Electronic brake
Protection class	TPX4
Motor type	Outer Rotor BLDC Motor
Part no.	M024XE0080-154-44

Dimensions

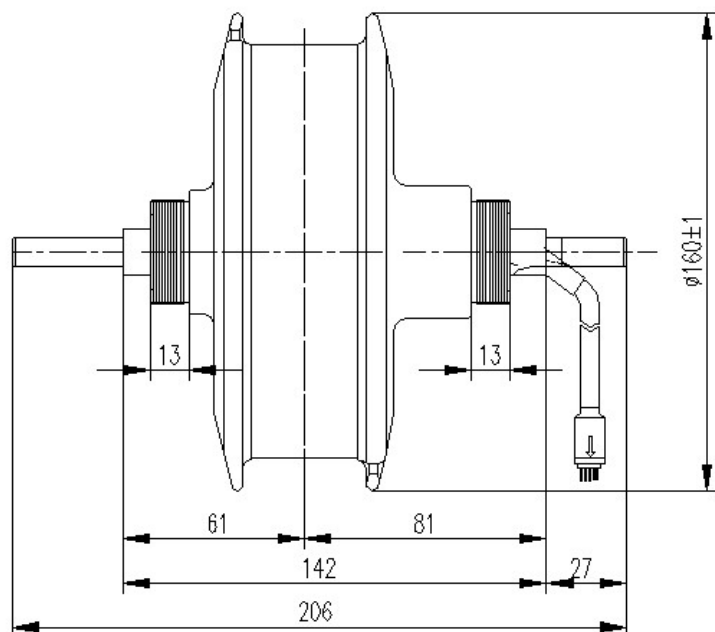
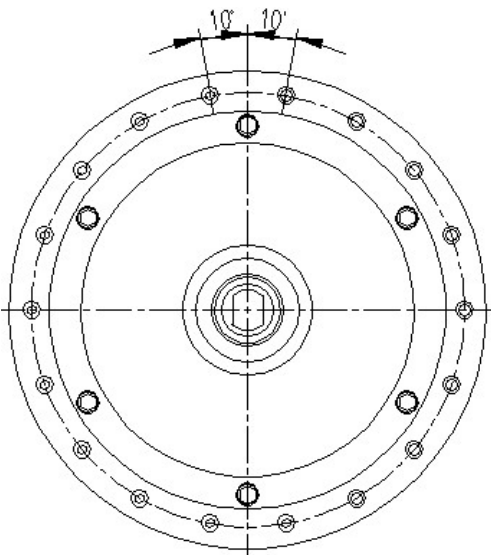


160 HUB Motor



Item	General Specifications	
Motor type	Outer Rotor BLDC Motor	
Rated Voltage	36 VDC	48 VDC
Rated Power	180 W	250 W
Speed	250 rpm	360 rpm
Max. Torque	20 Nm	30 Nm
Part no.	M036XE0200-160-142	M048XE0300-160-142

Dimensions

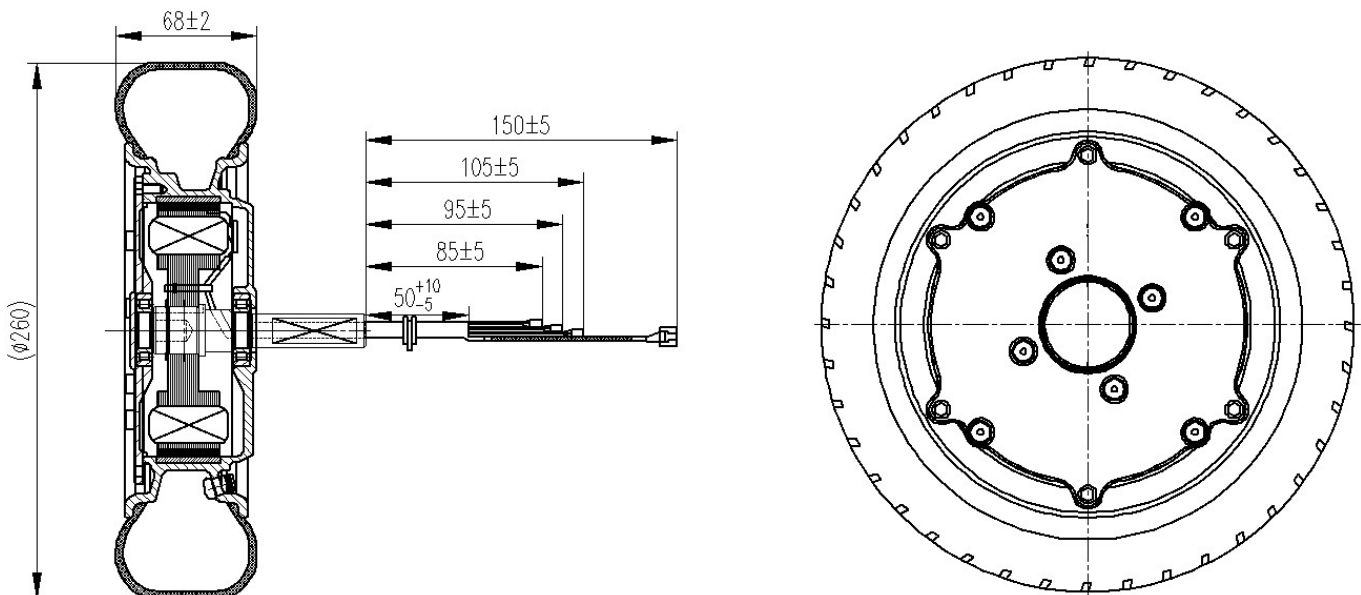


165 HUB Motor



Item	General Specifications
Motor type	Outer Rotor BLDC Motor
Rated Voltage	60 VDC
Rated Power	350 W
Rated Speed	760 rpm
Max. Torque	35 Nm
Part no.	M060XE0350-250-68

Dimensions

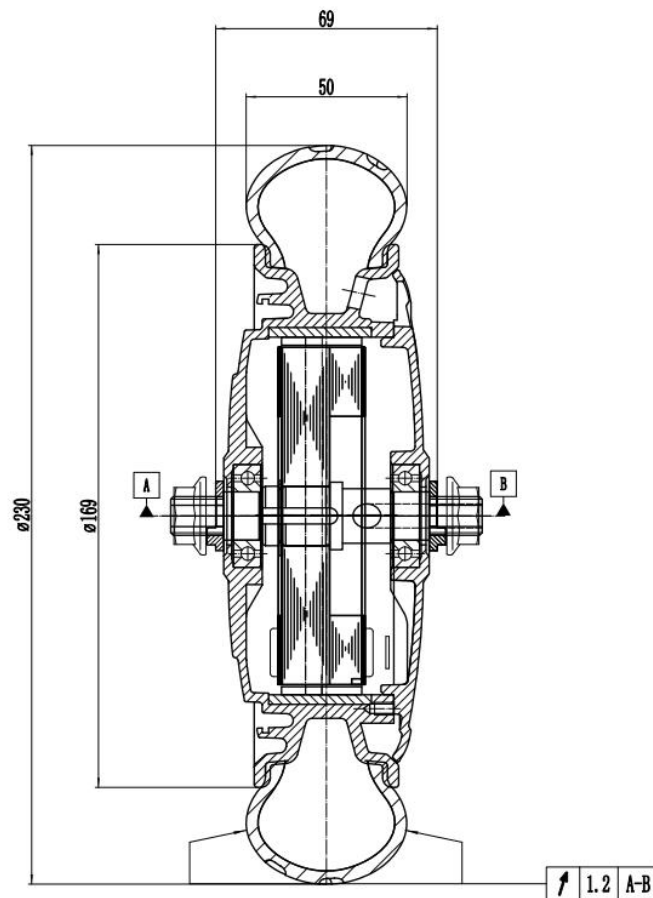


230 HUB Motor



Item	General Specifications
Rated Voltage	36 VDC
Rated Power	250-300 W
No load speed	650-720 rpm
Brake Type	Electronic brake
Protection class	IP54
Motor type	Outer Rotor BLDC Motor
Part no.	M036XE0100-230-69

Dimensions

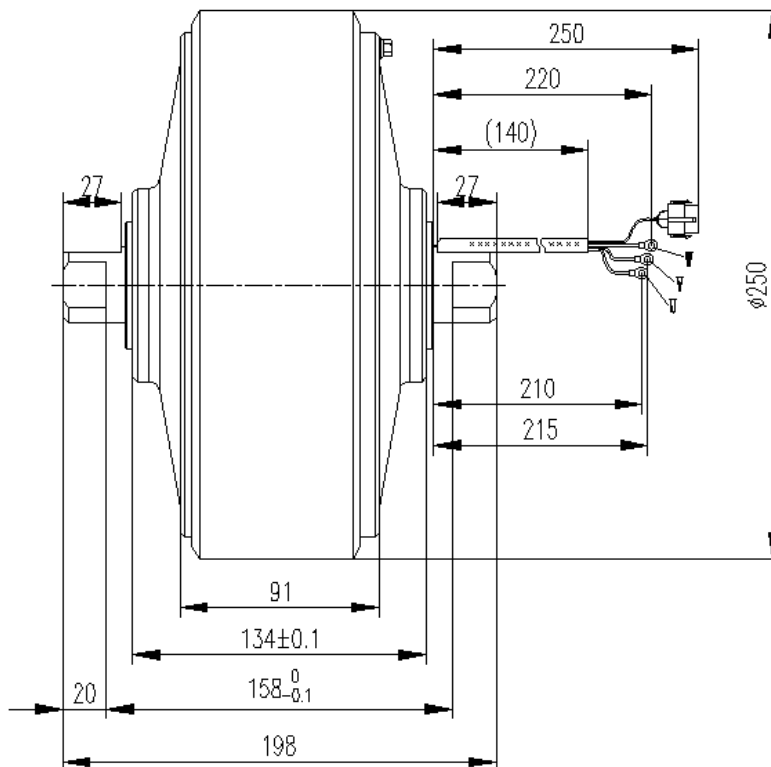


250 HUB Motor



Item	General Specifications
Motor type	Outer Rotor BLDC Motor
Rated Voltage	48 VDC
Rated Power	600 W
Rated Speed	100 rpm
Max. Torque	110 Nm
Part no.	M048XE1100-250-134

Dimensions

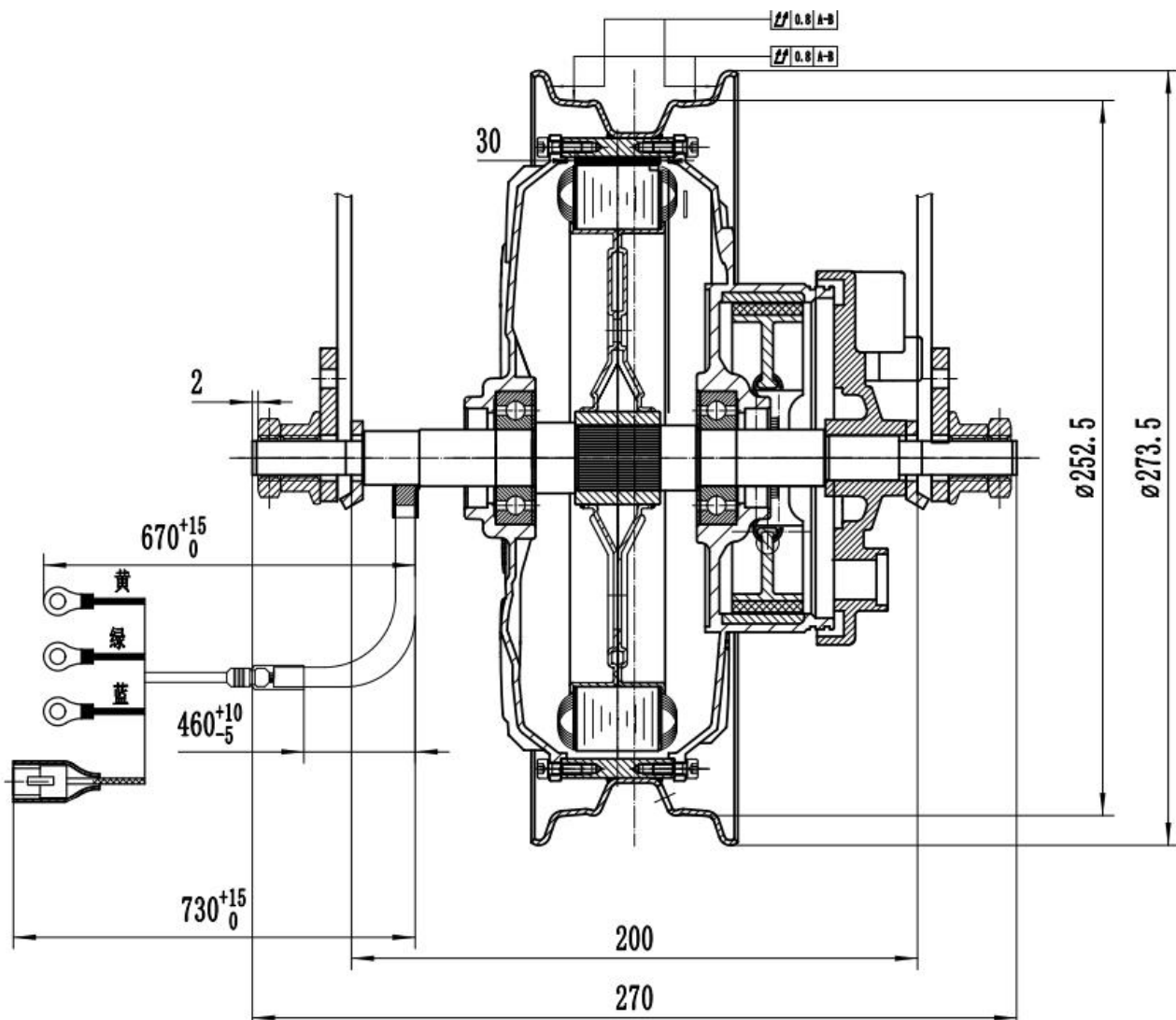


252 HUB Motor



Item	General Specifications
Rated Voltage	60-72 VDC
Rated Power	500-1100 W
No load speed	530-700 rpm
Brake Type	Drum Brake
Part No.	M072XE2300-252-200

Dimensions

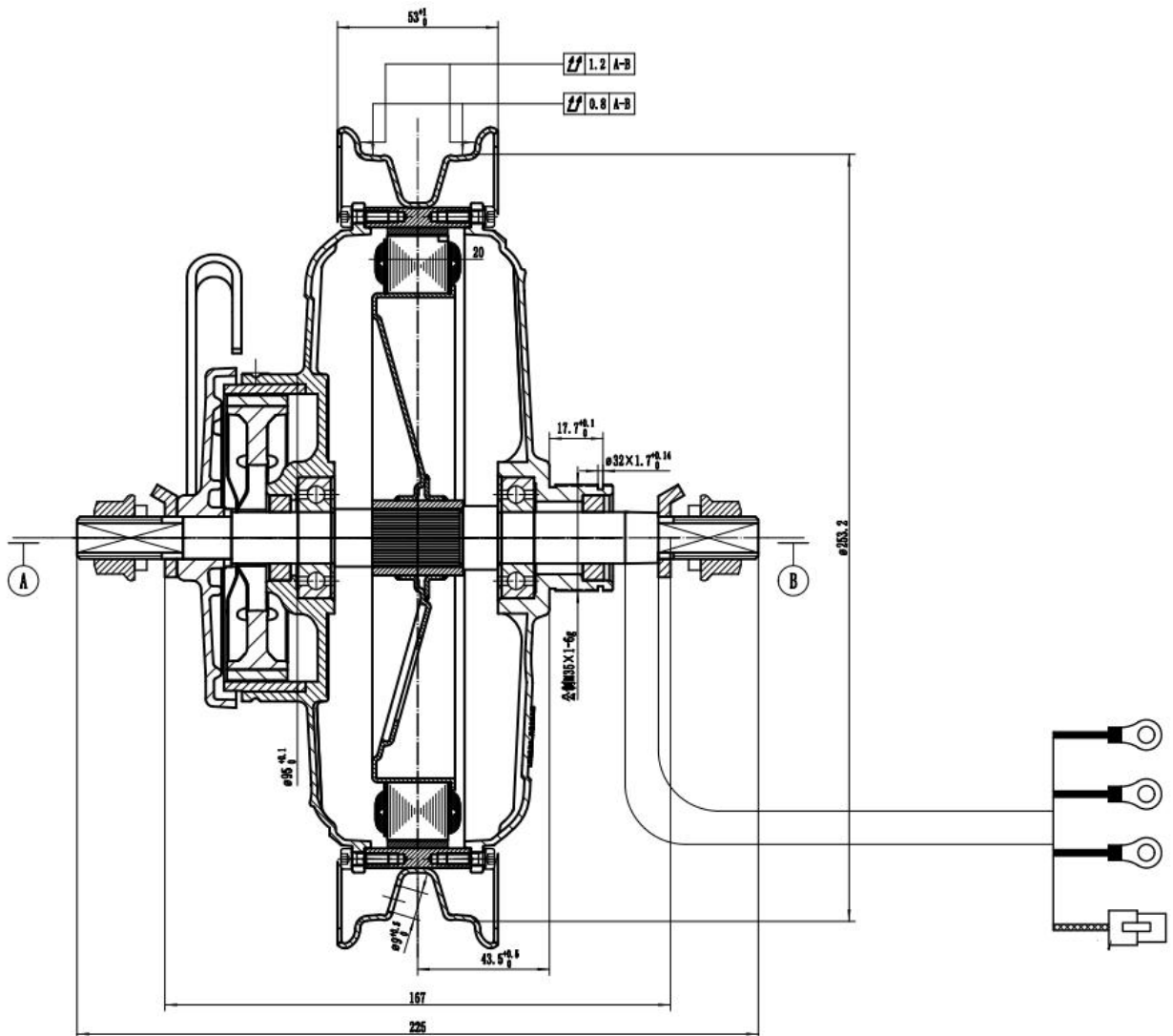


253 HUB Motor



Item	General Specifications
Rated Voltage	48 VDC
Rated Power	400 W
No load speed	450 rpm
Protection class	IP54
Brake Type	Drum Brake
Part no.	M048XE3500-253-167

Dimensions

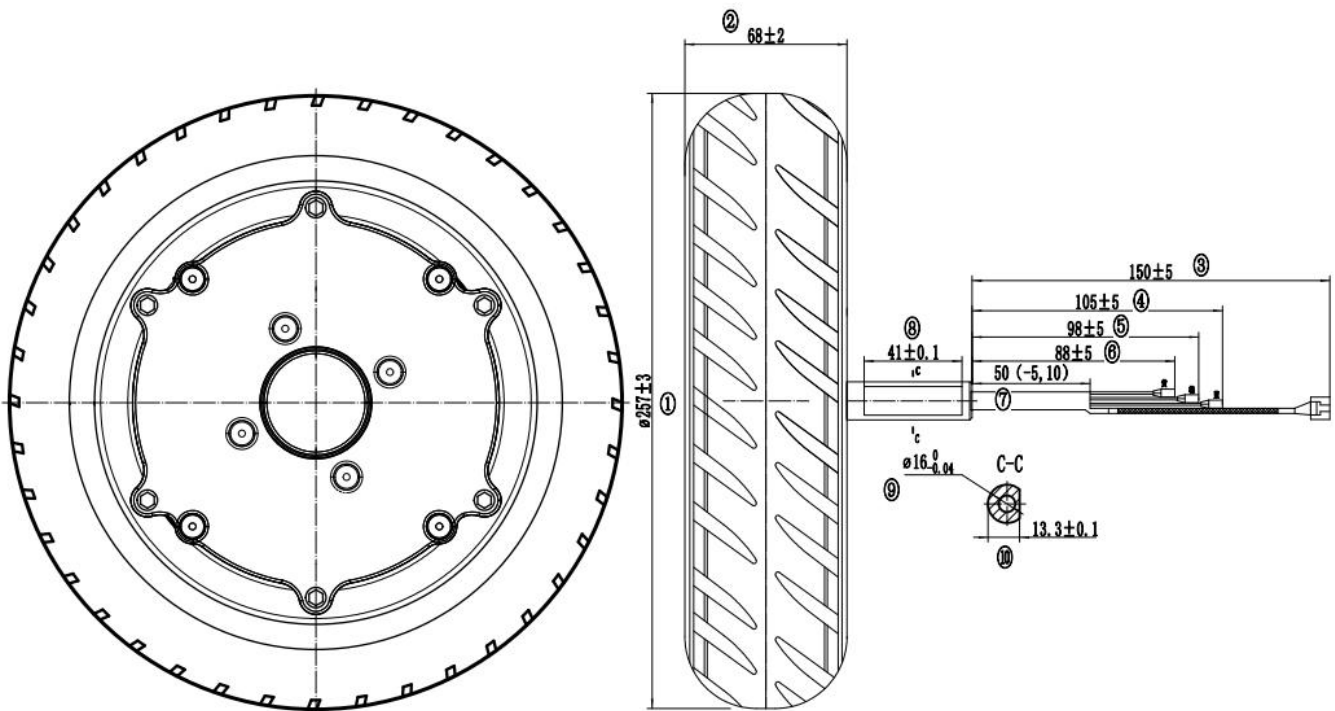


257 HUB Motor



Item	General Specifications
Rated Voltage	60 VDC
Rated Power	350 W
No load speed	780 rpm
No load current	$\leq 0.8A$
Protection class	IPX4
Brake Type	Electronic brake
Part no.	M060XE3000-257-68

Dimensions

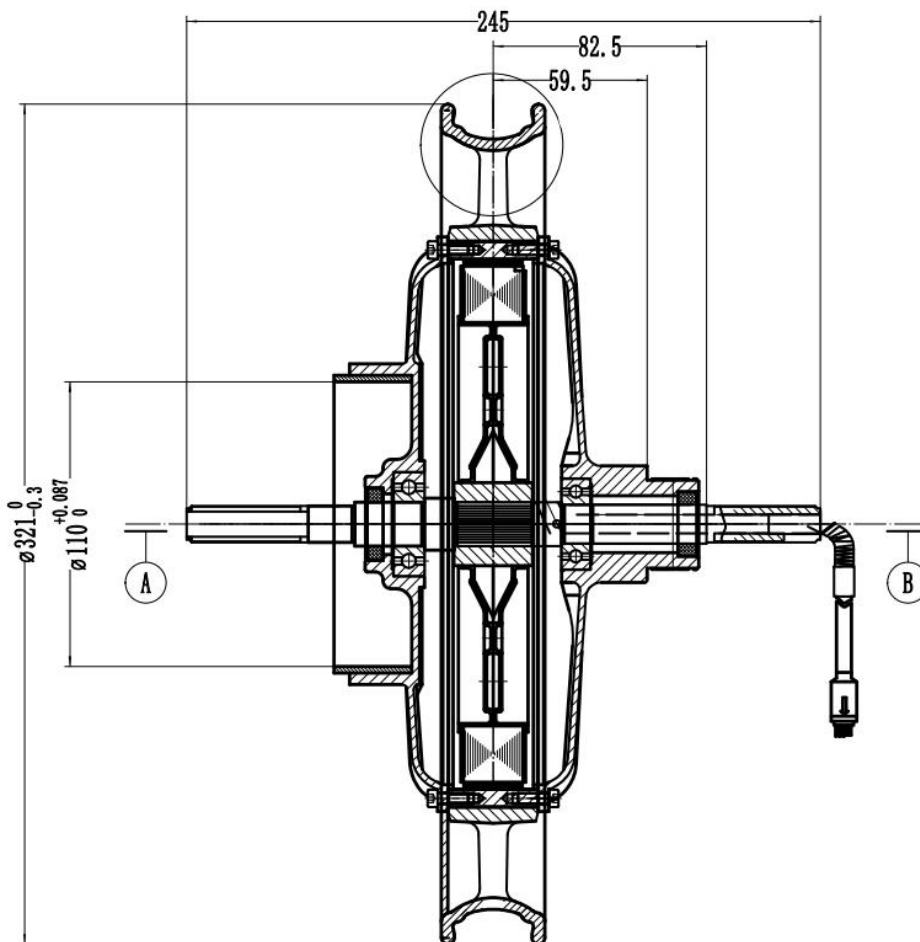


321 HUB Motor



Item	General Specifications
Rated Voltage	48 VDC
Rated Power	350 W
No load speed	330 rpm
Brake Type	Drum Brake
Protection class	IPX7
Part No.	M048XE4700-321-118

Dimensions

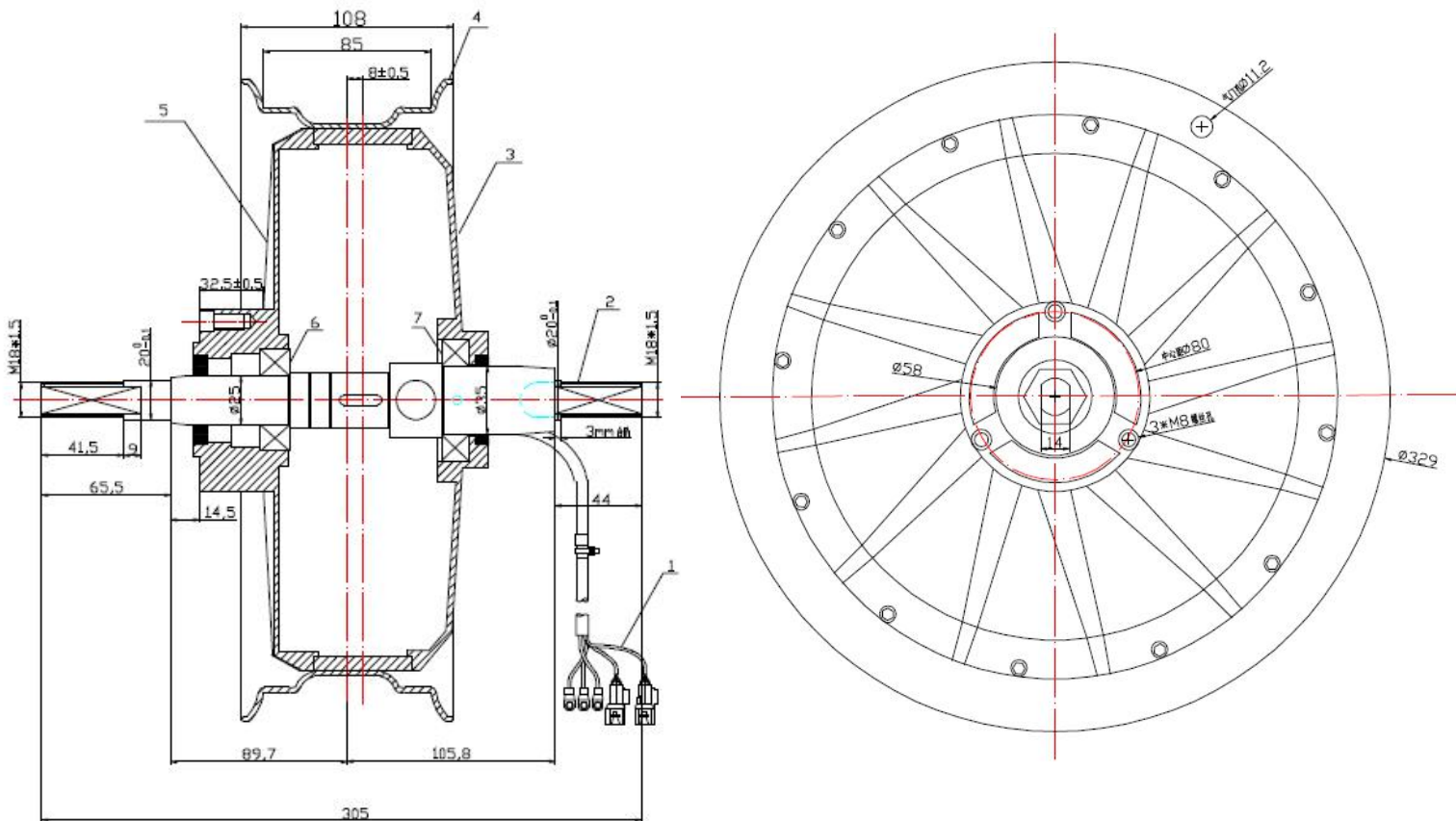


329 3KW Hub motor



Item	Specifications
Hall angle	120°
Resistance	100Hz≥Ls
Inductance	100Hz≥Rs
Hall operating voltage	5V±0.5
Working temperature of Hall	-40~+150°C
Temperature resistance of motor windings	≥130°C(max. 150°C)
IP Class	IP65

Dimensions



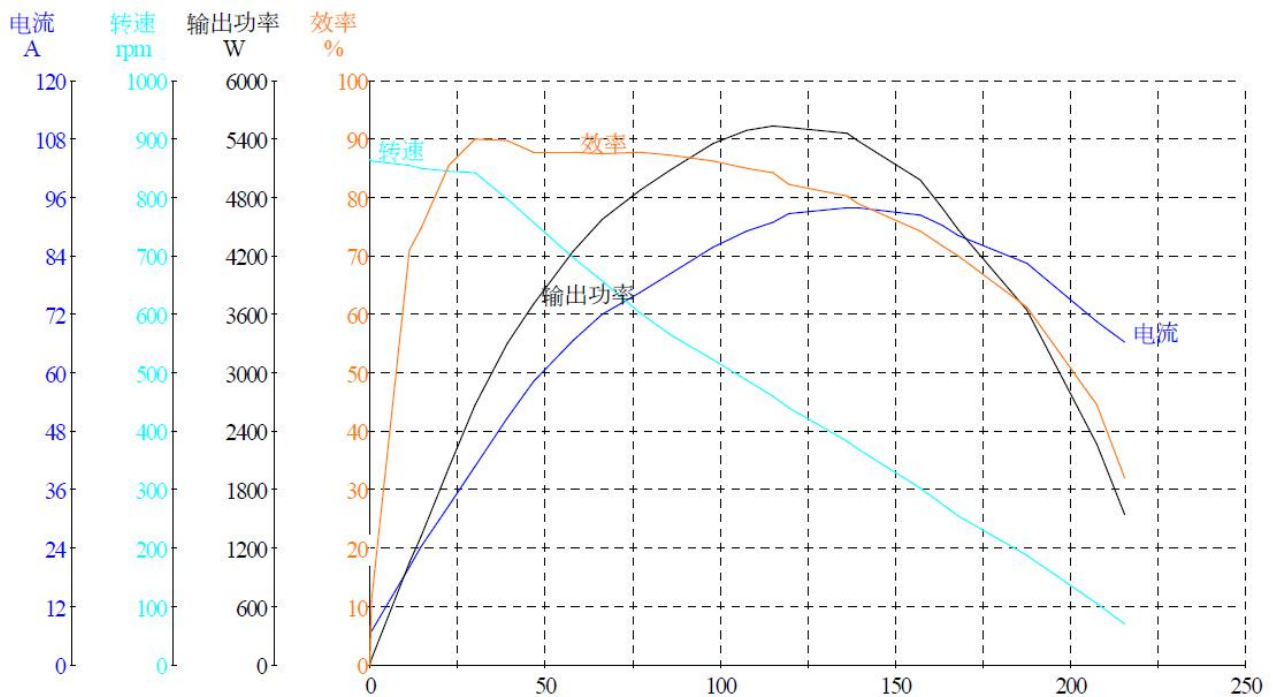
329 3KW Hub motor

Technical Specifications

Item	M072XE3500-329-305
Number of pole pairs	24
Nominal Voltage (VDC)	72
Rated power (W)	3000
Max. Power (W)	5500
No load speed (rpm)	850
Rated torque (N.m)	35
Peak torque (N.m)	≥210
Max. efficiency	≥90%
Diameter of motor (mm)	329

Performance Test

Patr No. M072XE3500-329-305 Test Date: 2019.09.12
 Voltage: 72V Power rated: 3000W



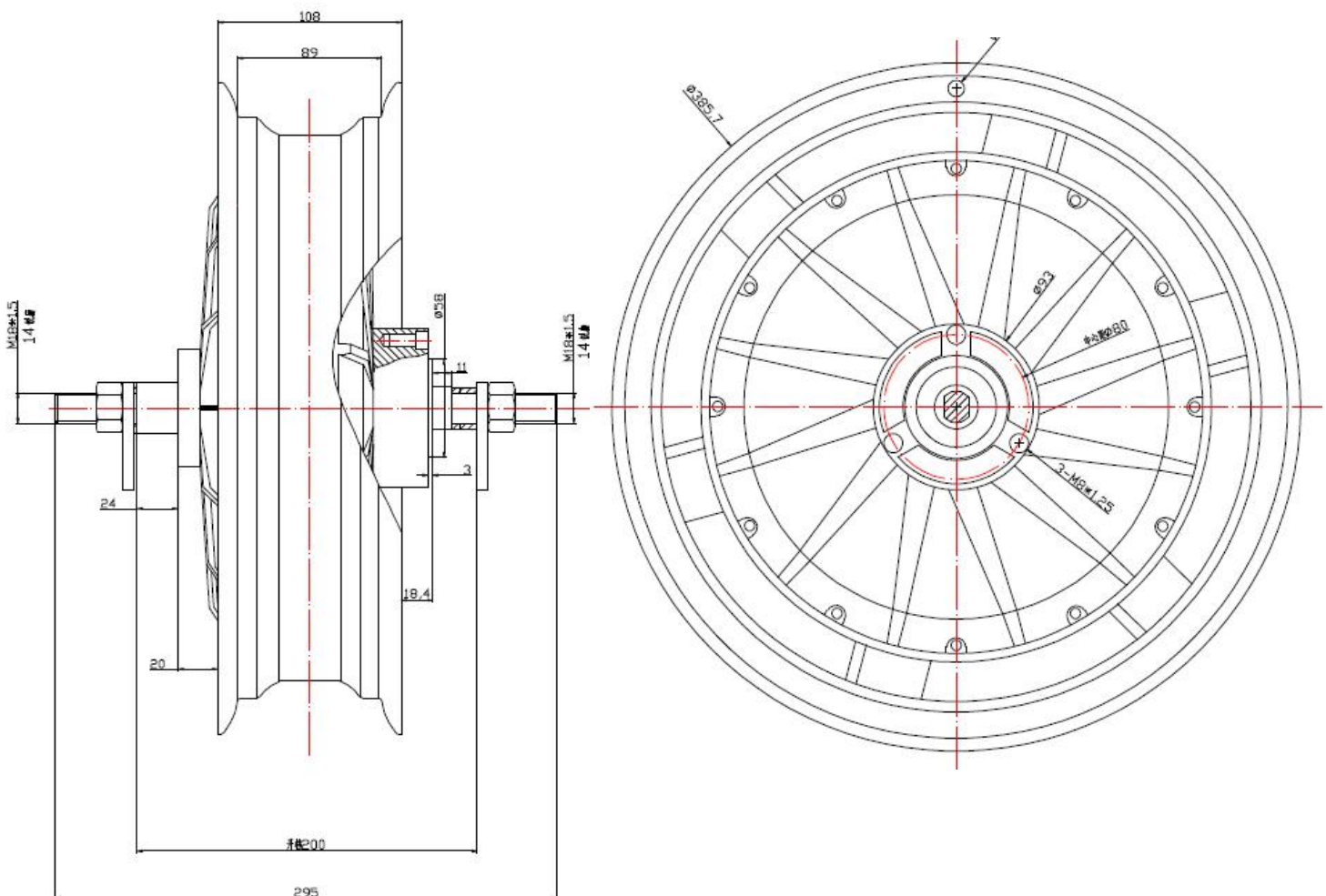
Feature Point	Voltage	Current	Input power	Torque	Speed	Output power	Efficiency	Time
	V	A	W	N.m	rpm	W	%	S
No_Load	72.87	6.917	504.0	0.0	862.7	0.000	0.0	0.000
Eff_max	72.72	40.74	2963	30.2	840.9	2659	89.8	11.08
Pout_max	72.53	90.77	6583	115.0	459.7	5535	84.1	29.19
Torque_max	72.62	66.20	4807	215.7	67.8	1531	31.9	47.30
End	72.62	66.20	4807	215.7	67.8	1531	31.9	47.30

385 3KW Hub motor



Item	Specifications
Hall angle	120°
Resistance	100Hz≥Ls
Inductance	100Hz≥Rs
Hall operating voltage	5V±0.5
Working temperature of Hall	-40~+130°C
Temperature resistance of motor windings	≥130°C(max. 180°C)
IP Class	IP65

Dimensions



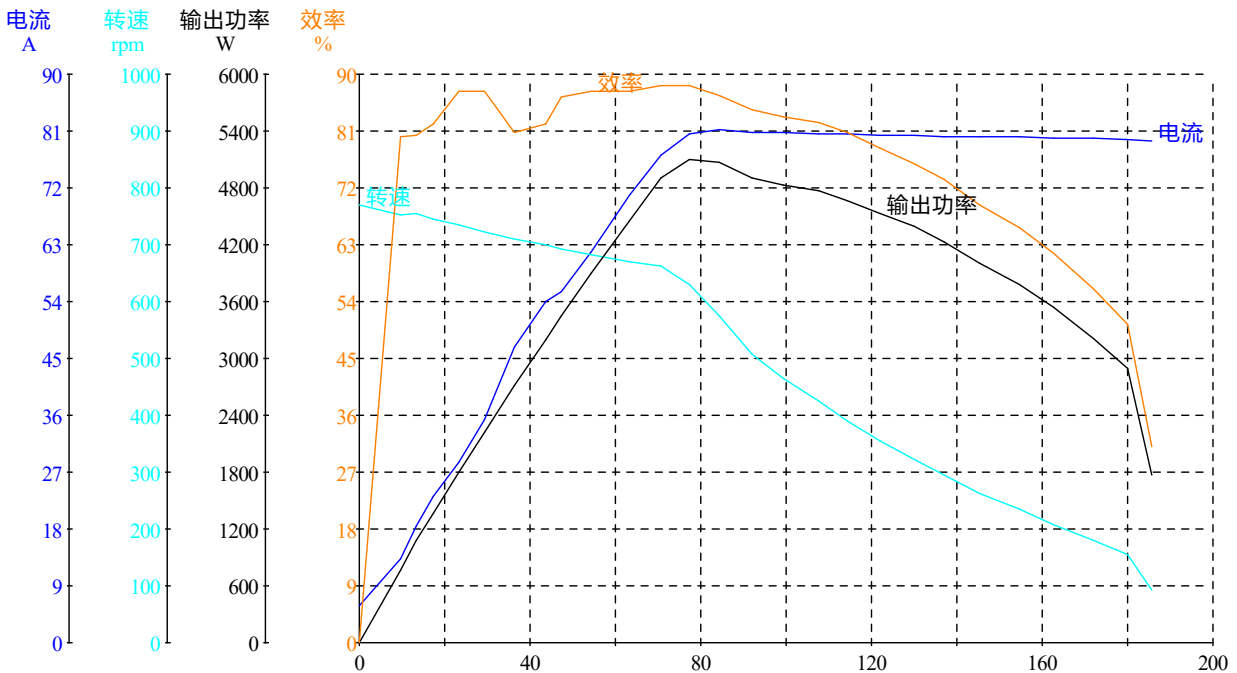
385 3KW Hub motor

Technical Specifications

Item	M072XE4000-385-295
Number of pole pairs	24
Nominal Voltage (VDC)	72
Rated power (W)	3000
Max. Power (W)	5100
No load speed (rpm)	720
Rated torque (N.m)	40
Peak torque (N.m)	≥185
Max. efficiency	≥89%
Diameter of motor (mm)	385.7

Performance Test

Patr No. M072XE4000-385-295 Test Date: 2019.08.30
 Voltage: 72V Power rated: 3000W



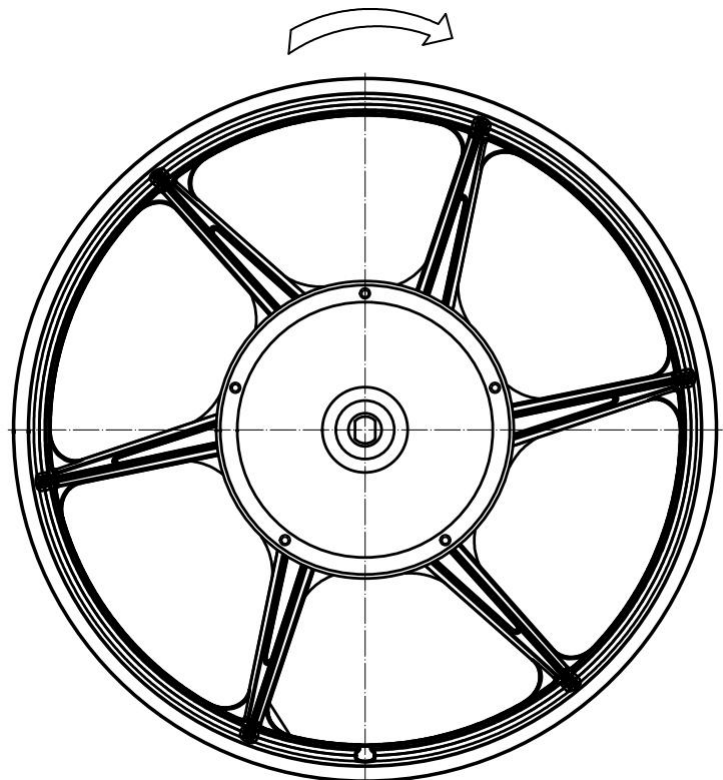
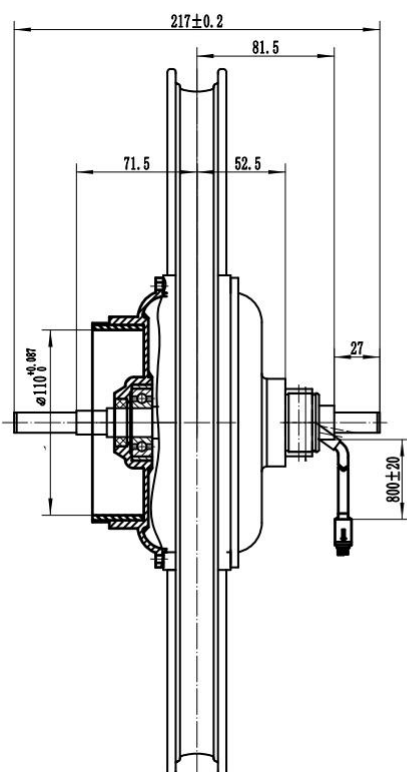
Feature Point	Voltage	Current	Input power	Torque	Speed	Output power	Efficiency	Time
	V	A	W	N.m	rpm	W	%	S
No_Load	72.34	5.764	417.0	0.0	768.4	0.000	0.0	0.000
Eff_max	71.99	80.42	5790	77.4	629.3	5100	88.1	37.14
Pout_max	71.99	80.42	5790	77.4	629.3	5100	88.1	37.14
Torque_max	71.99	79.42	5718	185.9	90.7	1765	30.9	79.30
End	71.99	79.42	5718	185.9	90.7	1765	30.9	79.30

420 HUB Motor



Item	General Specifications
Rated Voltage	48 VDC
Rated Power	350 W
No load speed	400 rpm
No load current	$\leq 0.8A$
Protection class	IPX7
Brake Type	Drum brake
Part no.	M048XE4700-420-105

Dimensions

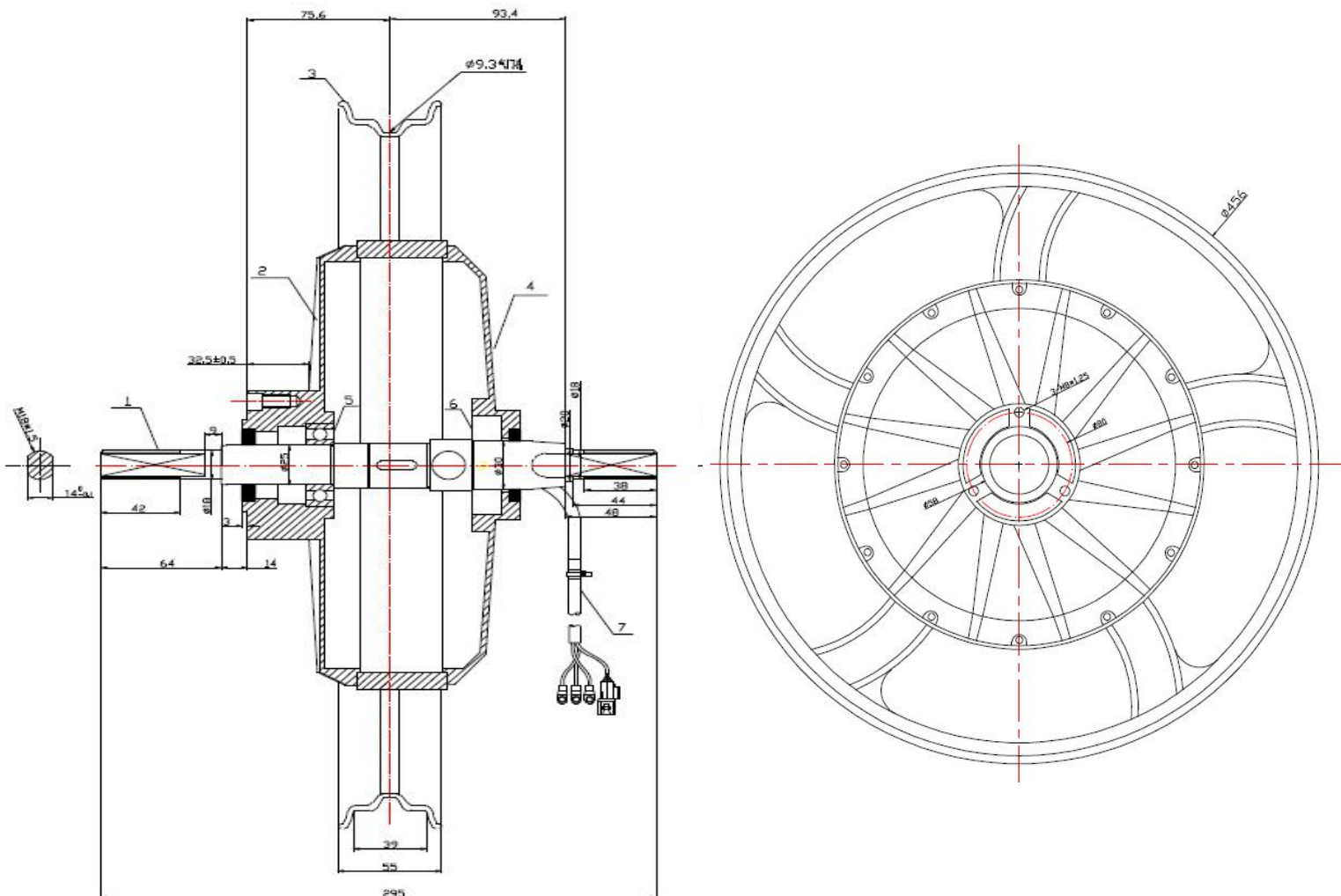


456 3KW Hub motor



Item	Specifications
Hall angle	120°
Resistance	100Hz≥Ls
Inductance	100Hz≥Rs
Hall operating voltage	5V±0.5
Working temperature of Hall	-40~+150°C
Temperature resistance of motor windings	≥130°C(max. 180°C)
IP Class	IP65

Dimensions



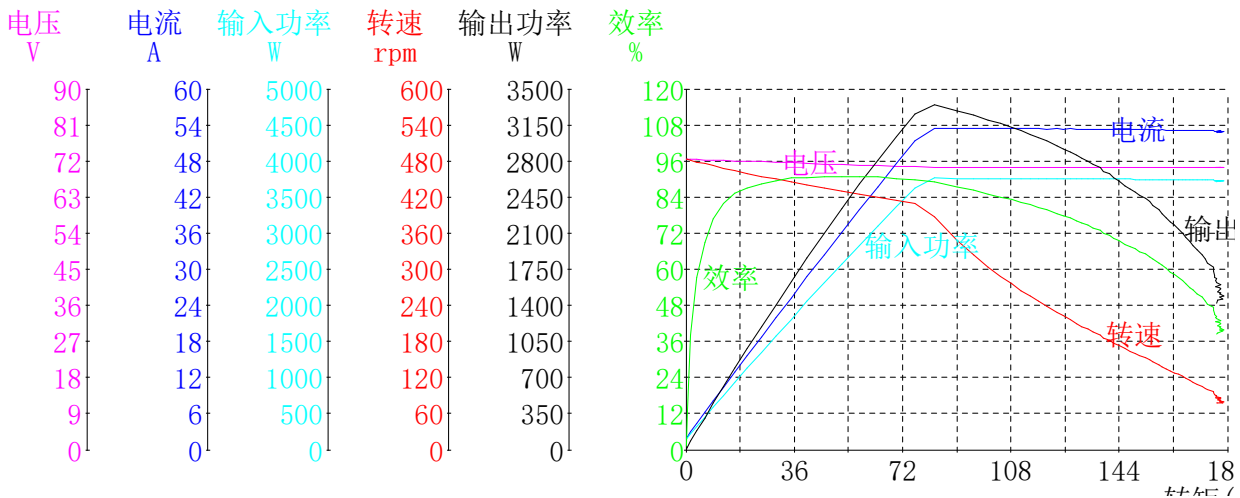
456 3KW Hub motor

Technical Specifications

Item	M072XE7000-456-295
Number of pole pairs	28
Nominal Voltage (VDC)	72
Rated power (W)	3000
Max. Power (W)	4000
No load speed (rpm)	480
Rated torque (N.m)	70
Peak torque (N.m)	≥178
Max. efficiency	≥90%
Diameter of motor (mm)	456

Performance Test

Patr No. M072XE7000-456-295 Test Date: 2020.03.18
 Voltage: 72V Power rated: 3000W



Feature Point	Voltage	Current	Input power	Torque	Speed	Output power	Efficiency	Time
	V	A	W	N.m	rpm	W	%	S
No_Load	72.44	1.967	142.5	0.0	483.4	1.620	1.1	0.000
Eff_max	71.00	39.91	2834	57.8	425.0	2573	90.8	61.14
Pout_max	70.41	53.41	3761	82.6	387.1	3348	89.0	77.17
Torque_max	70.41	52.88	3723	178.7	79.7	1491	40.0	305.7
End	70.40	52.79	3716	176.5	77.0	1423	38.3	321.7