

CONTENTS 目录

1. Φ 20 系列	page1-2
2. Φ 22 系列	page3-4
3. Φ 24 系列	page5-8
4. Φ 28 系列	page9-12
5. Φ 29 系列	page13-16
6. Φ 31 系列	page17-25
7. Φ 34 系列	page26-29
8. Φ 42 系列	page30-31
9. Φ 143 系列	page32
10. Φ 159 系列	page33
11. Φ 172 系列	page34
12. Φ 192 系列	page35
13. Φ 212 系列	page36
14. Φ 242 系列	page37

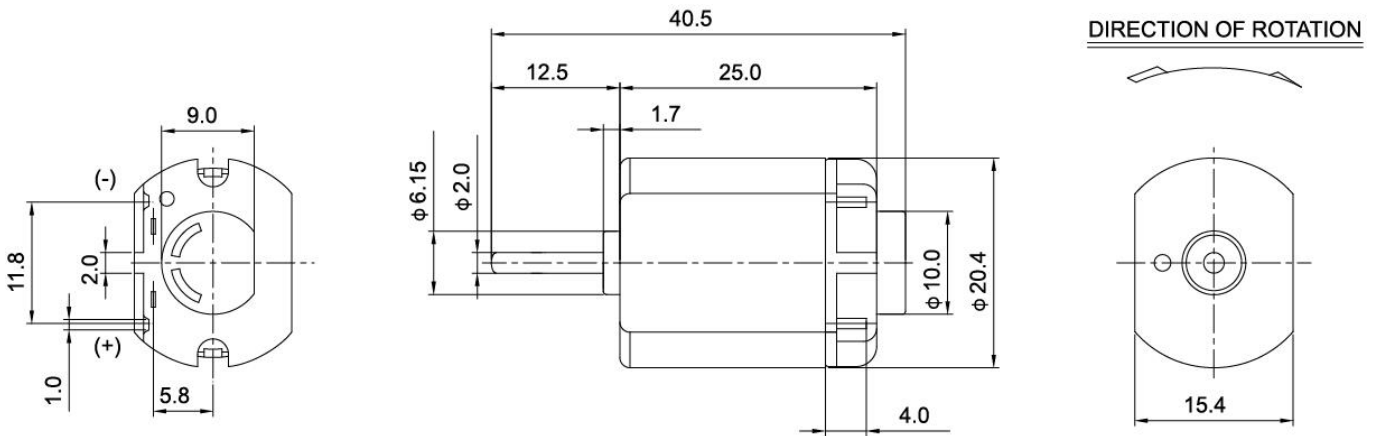
2025 Brush DC Motor



Output:
Approx 0.2W~1.5W
DC Motor

Typical application:
Automobile:
Rear-view mirror

Dimensions



Specification

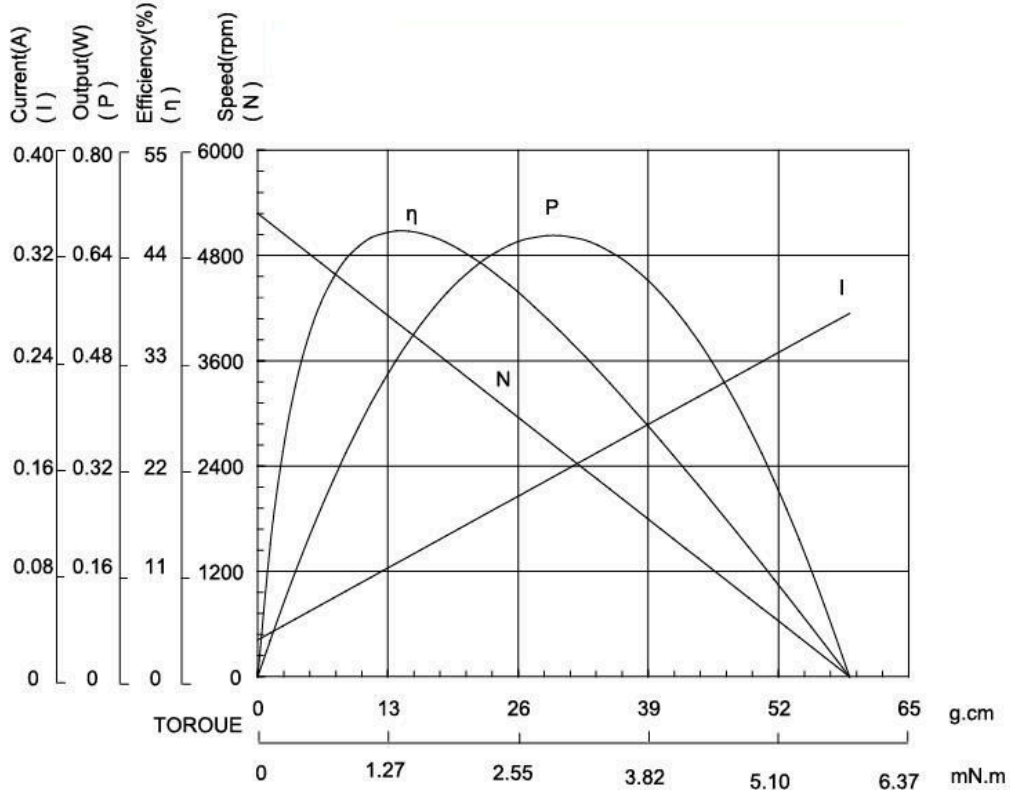
Model	Voltage [V]		No load		At maximum efficiency				Stall	
	Operating range	Nominal	Speed [rpm]	Current [A]	Speed [rpm]	Current [A]	Torque [mNm]	Output [W]	Torque [mNm]	Current [A]
M012BI0001-20-25	9.0~15.0	12.0	5278	0.028	4004	0.088	1.40	0.49	5.81	0.277
M009BI0001-20-25	6.0~12.0	9.0	6122	0.037	4798	0.134	1.46	0.63	6.75	0.486

2025 Brush DC Motor

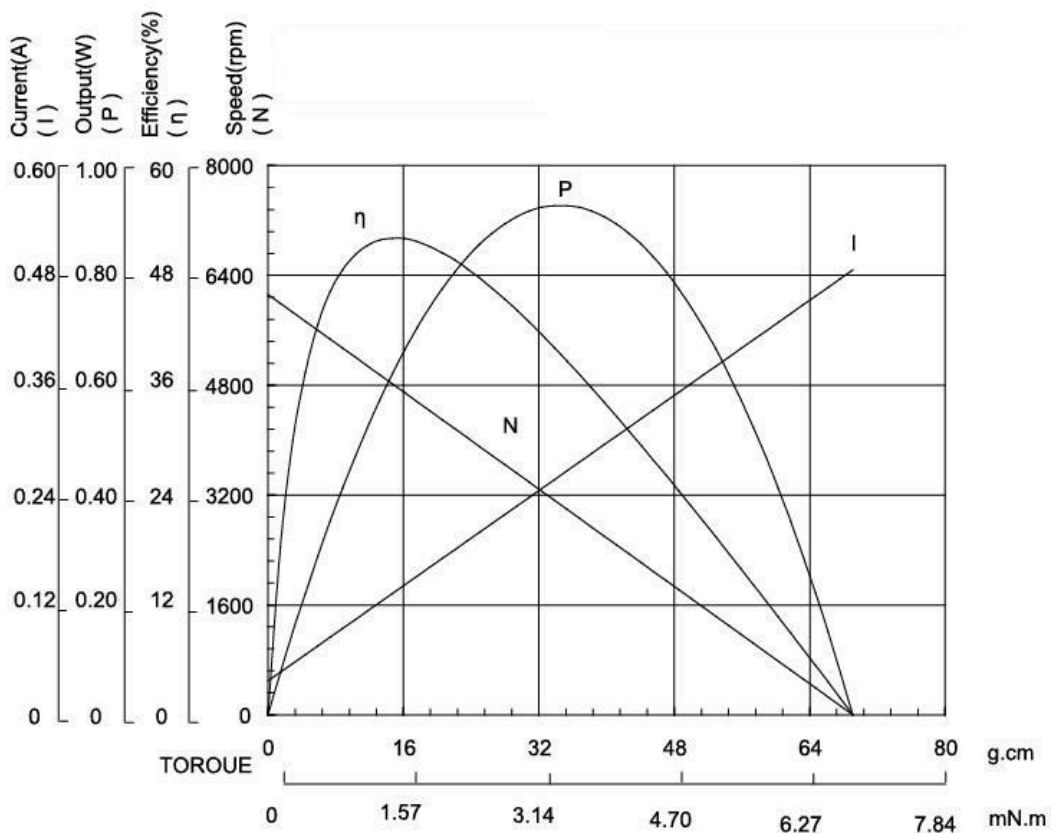


Performance Curve

M012BI0001-20-25, 12.0V



M009BI0001-20-25, 9.0V



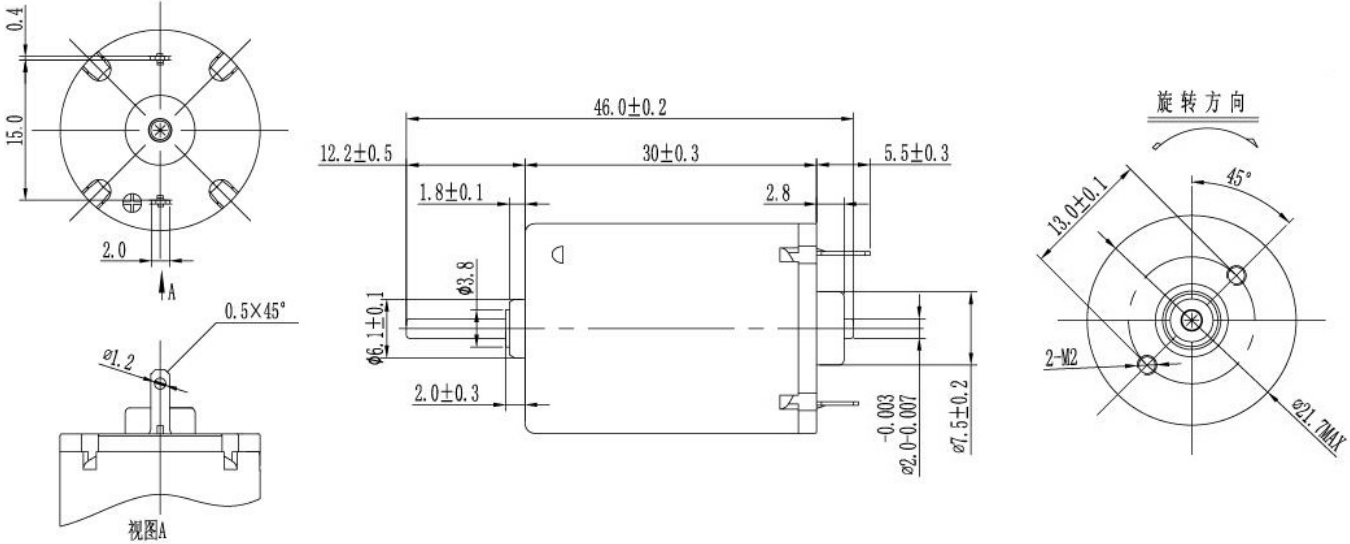
2230 Brush DC Motor



Output:
Approx. 5W~15W
DC Motor

Typical application:
Beauty product

Dimensions



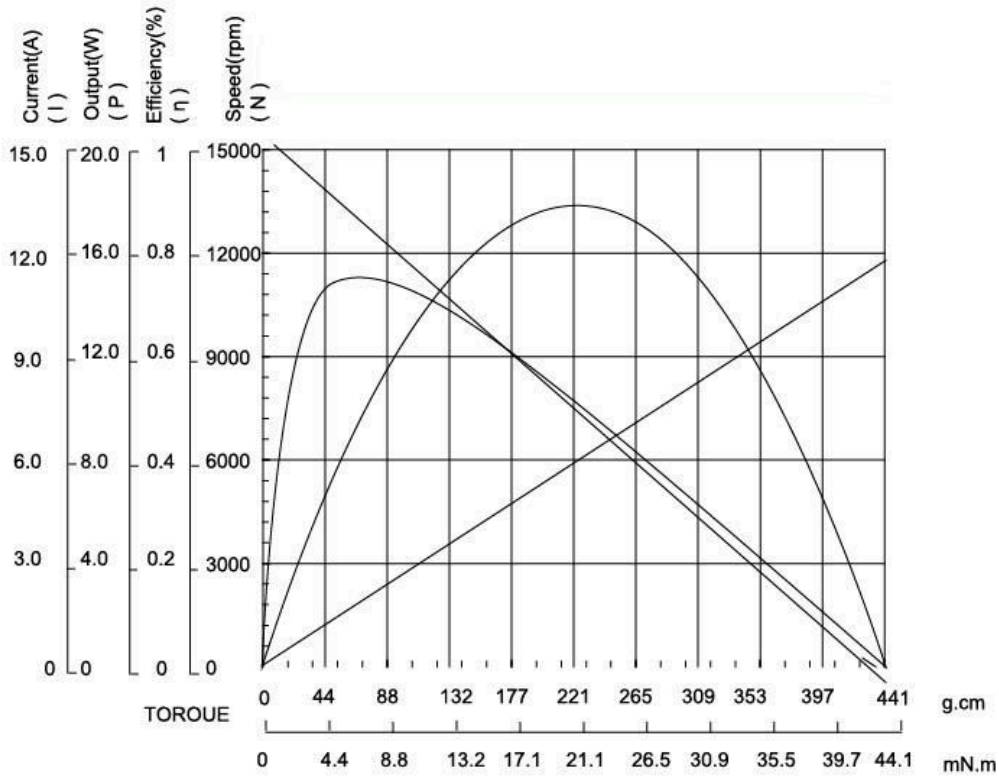
Specification

Model	Voltage [V]		No load		At maximum efficiency				Stall	
	Operating range	Nominal	Speed [rpm]	Current [A]	Speed [rpm]	Current [A]	Torque [mNm]	Output [W]	Torque [mNm]	Current [A]
M006BI0007-22-30	4.5~7.5	6.0	14300	0.4	12000	2.1	7.1	8.75	44.2	11
M024BI0006-22-30	15.0~28.0	24.0	8514	0.07	6780	0.29	6.6	4.6	32.34	1.12

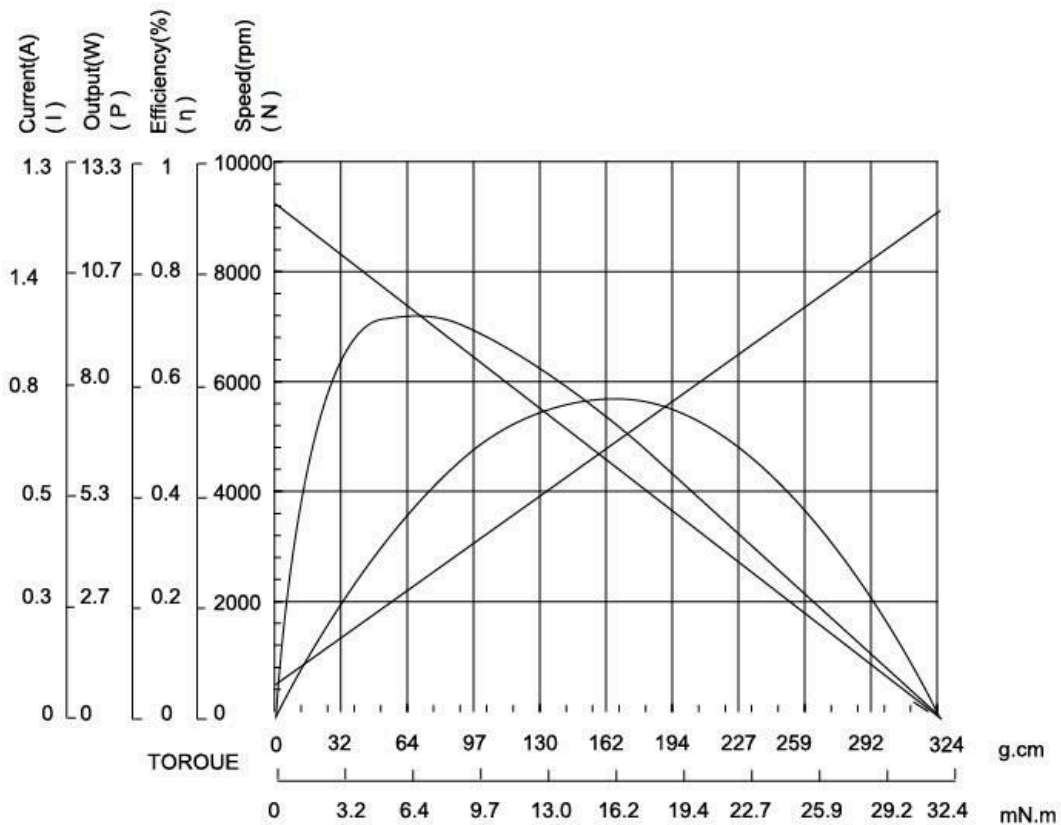
2230 Brush DC Motor

Performance Curve

M006BI0007-22-30, 6.0V



BD27001002, 24V



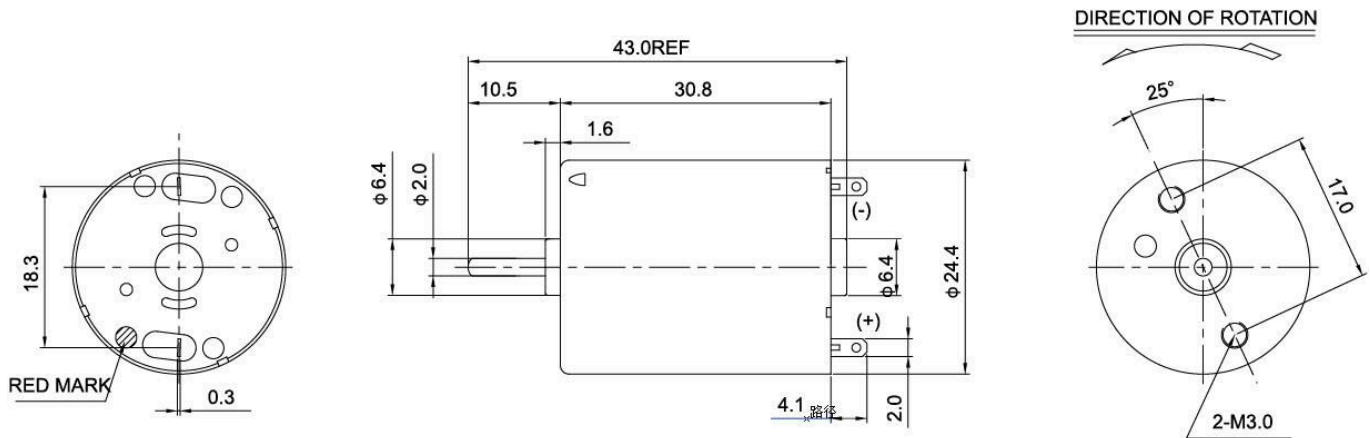
2431 Brush DC Motor



Output:
Approx 0.5W~20W
DC Motor

Typical application:
Office automation equipments:
Printer
Copy machine

Dimensions



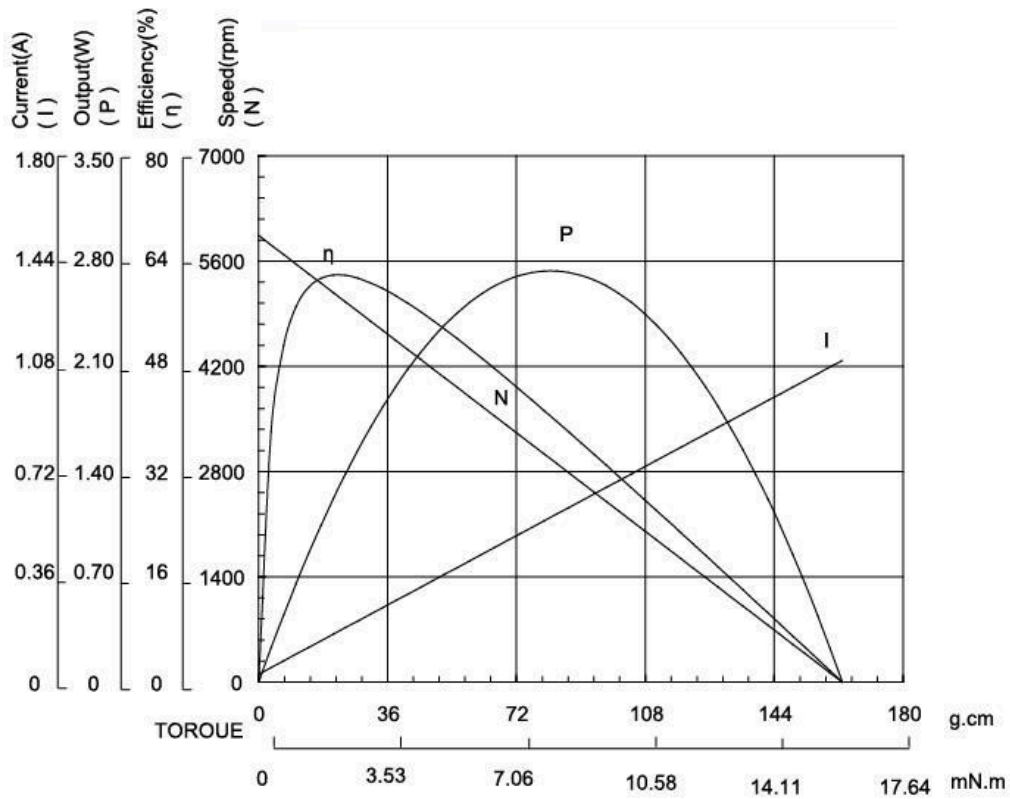
Specification

Model	Voltage [V]		No load		At maximum efficiency				Stall	
	Operating range	Nominal	Speed [rpm]	Current [A]	Speed [rpm]	Current [A]	Torque [mNm]	Output [W]	Torque [mNm]	Current [A]
M024BI0002-24-31	18.0~27.0	24.0	3166	0.008	2538	0.032	1.70	0.44	8.58	0.131
M012BI0002-24-31	9.0~15.0	12.0	5940	0.027	5146	0.175	2.18	1.50	16.31	1.133
M005BI0001-24-31	4.0~7.0	5.0	1991	0.012	1659	0.060	1.34	0.19	8.05	0.299
M012BI0001-24-31	9.0~15.0	12.0	3132	0.011	2645	0.060	1.77	0.48	11.39	0.325

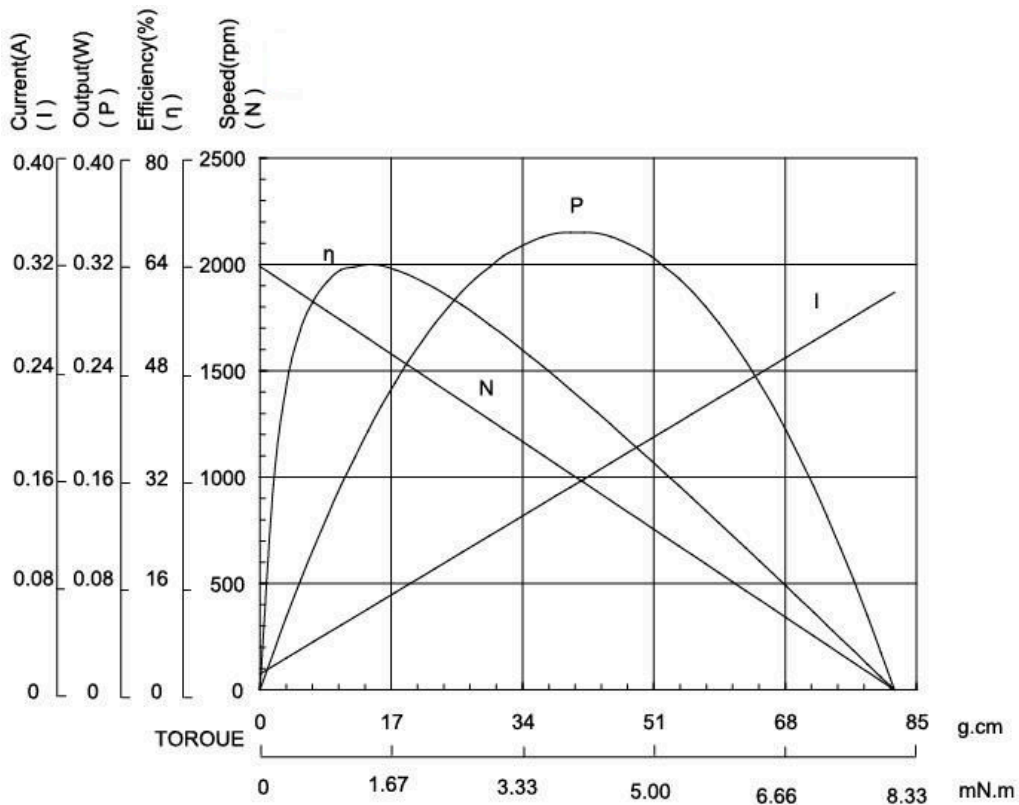
2431 Brush DC Motor

Performance Curve

M012BI0002-24-31, 12.0V



M005BI0001-24-31, 5.0V



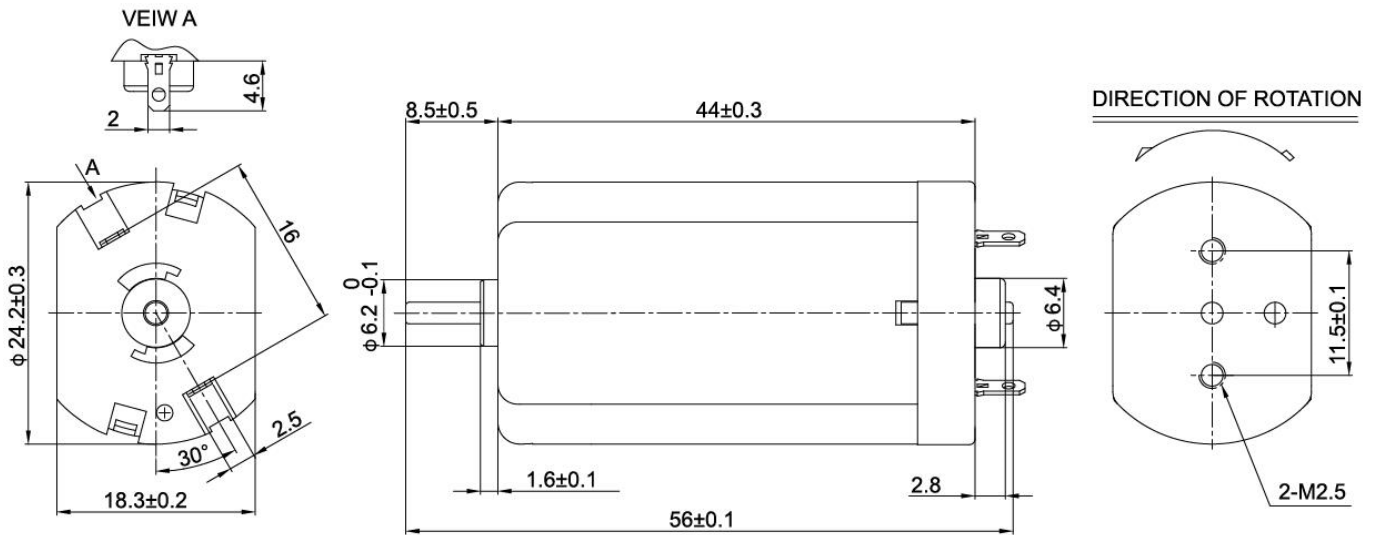
2444 Brush DC Motor



Output:
Approx 0.5W~24W
DC Motor

Typical application:
Toys and models:
Radio control model
Home appliances:
Hair clipper
Massager/ Vibrator

Dimensions



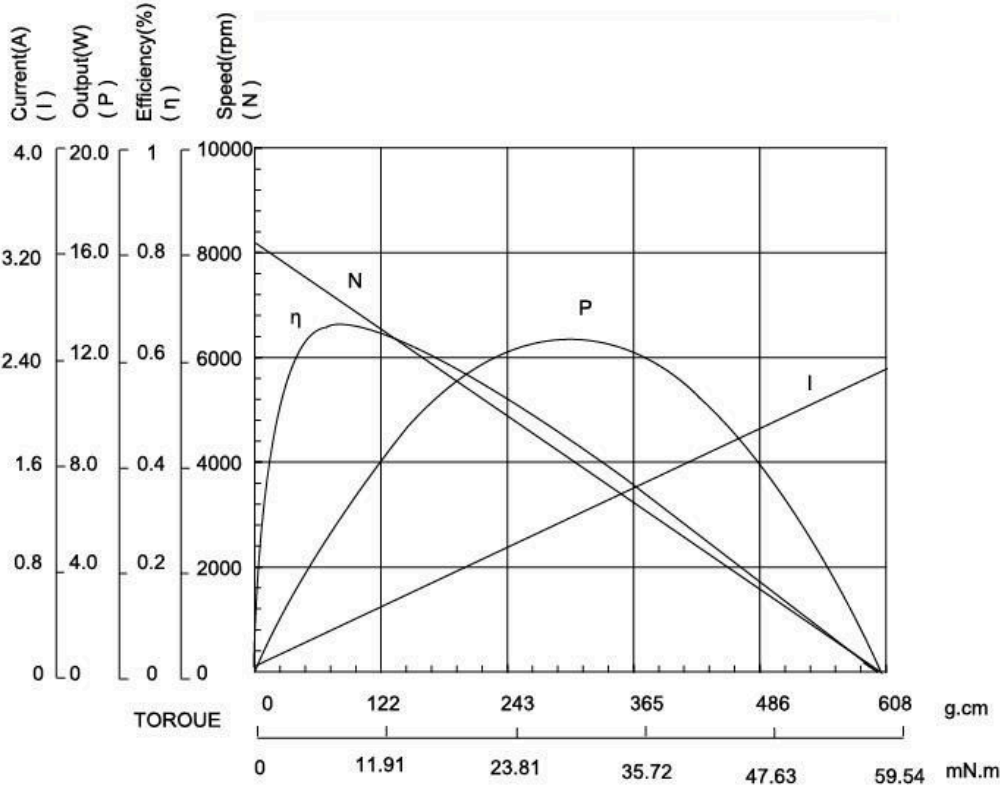
Specification

Model	Voltage [V]		No load		At maximum efficiency				Stall	
	Operating range	Nominal	Speed [rpm]	Current [A]	Speed [rpm]	Current [A]	Torque [mNm]	Output [W]	Torque [mNm]	Current [A]
M024BI0009-24-44	18~27	24	8100	0.07	6900	0.4	8.82	6.37	59.535	2.3

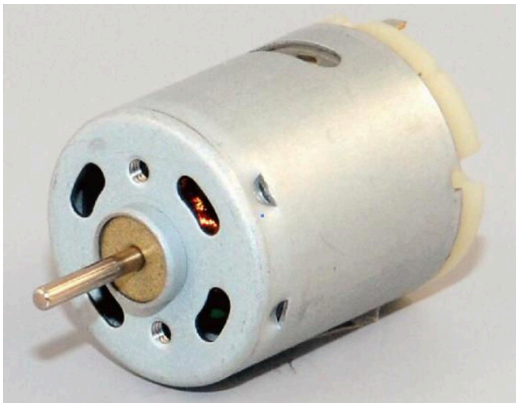
2444 Brush DC Motor

Performance Curve

M024BI0009-24-44, 24V



2833 Brush DC Motor

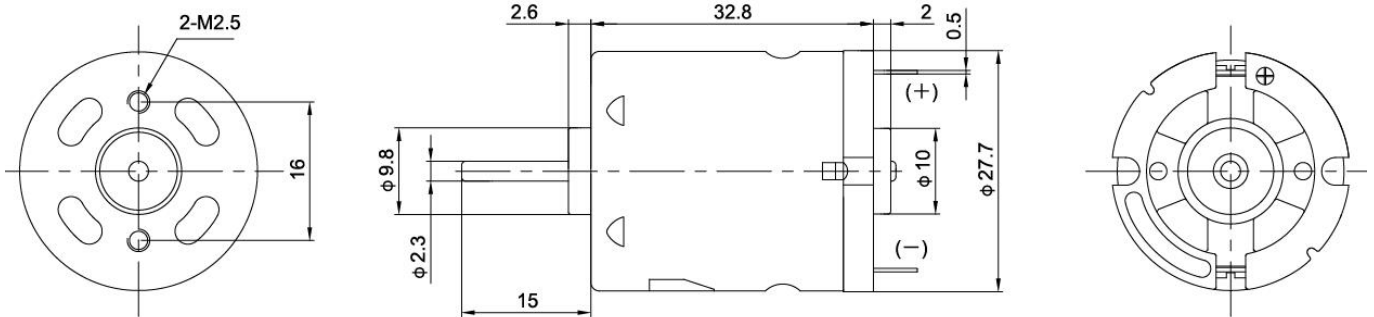


Output:
Approx 0.7W~30W
DC Motor

Typical application:
Home appliances:
Air compressor
Hair dryer
Massager/ Vibrator

Dimensions

DIRECTION OF ROTATION



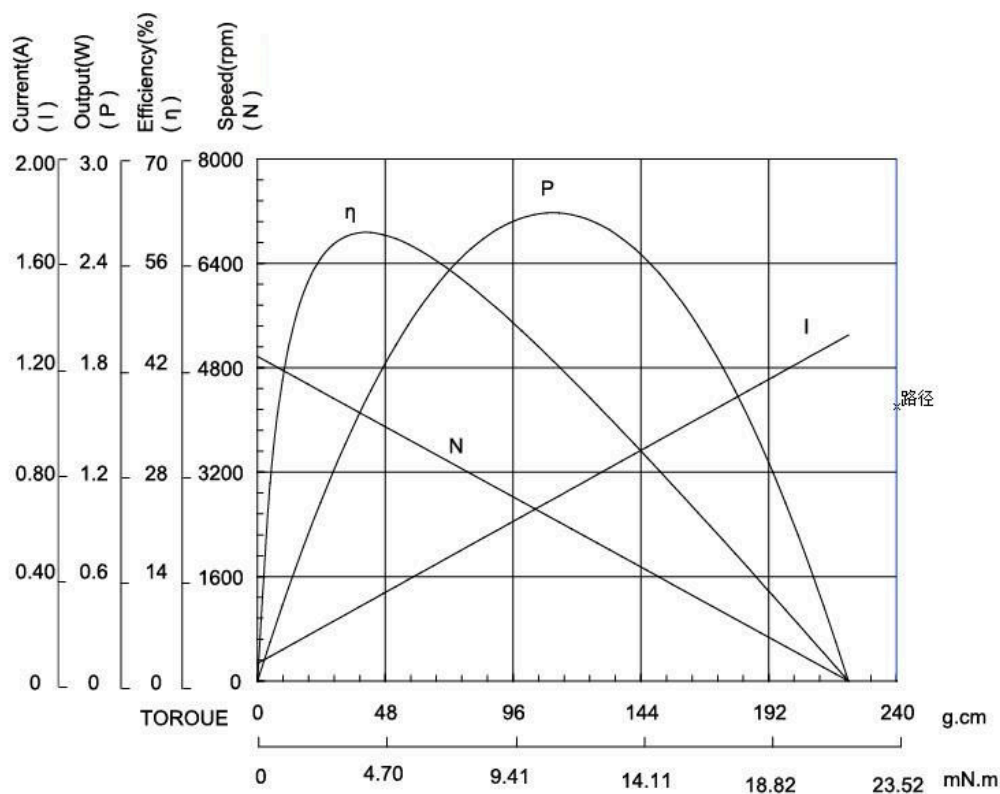
Specification

Model	Voltage [V]		No load		At maximum efficiency				Stall	
	Operating range	Nominal	Speed [rpm]	Current [A]	Speed [rpm]	Current [A]	Torque [mNm]	Output [W]	Torque [mNm]	Current [A]
M009BI0004-28-33	6.0~12.0	9.0	4972	0.067	4059	0.298	3.99	1.61	21.75	1.325
M024BI0006-28-33	18.0~30.0	24.0	12600	0.078	10545	0.400	6.29	6.23	38.59	2.055
M012BI0005-28-33	9.0~15.0	12.0	8536	0.121	6645	0.425	5.20	2.61	23.45	1.493
M024BI0004-28-33	18.0~30.0	24.0	10482	0.072	8256	0.267	4.29	3.42	20.18	0.990

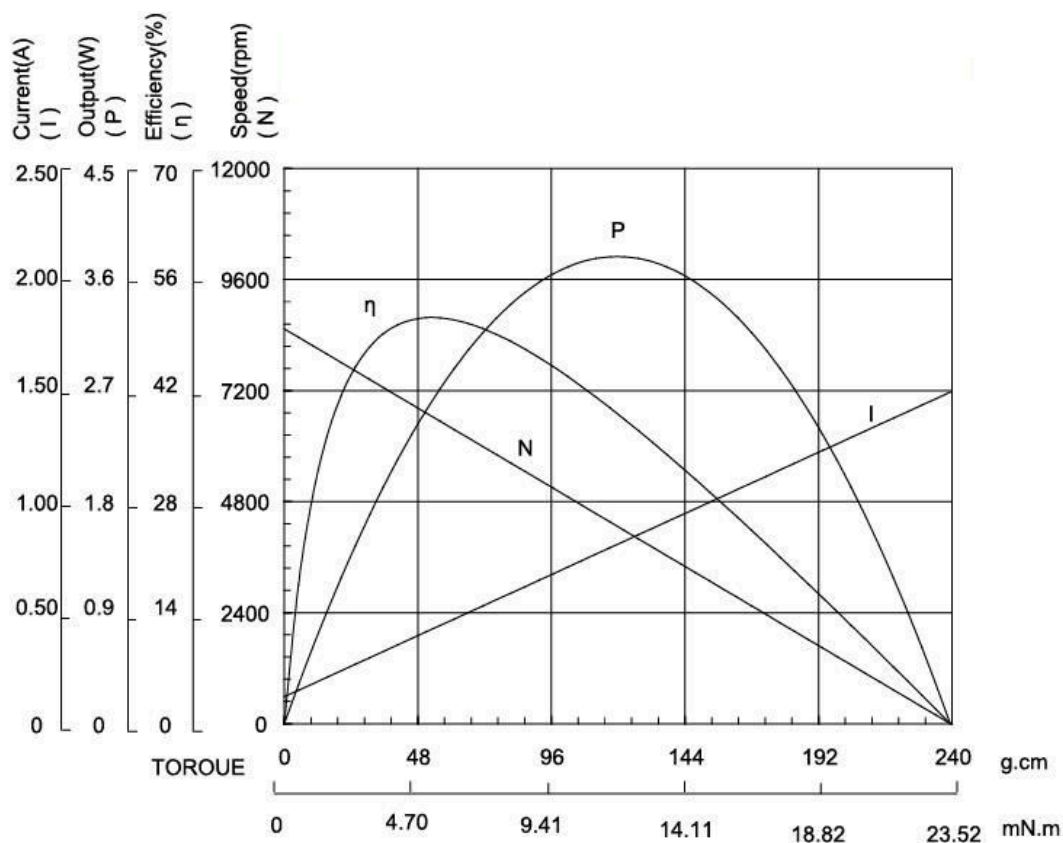
2833 Brush DC Motor

Performance Curve

M009BI0004-28-33, 9.0V



M012BI0005-28-33, 12.0V



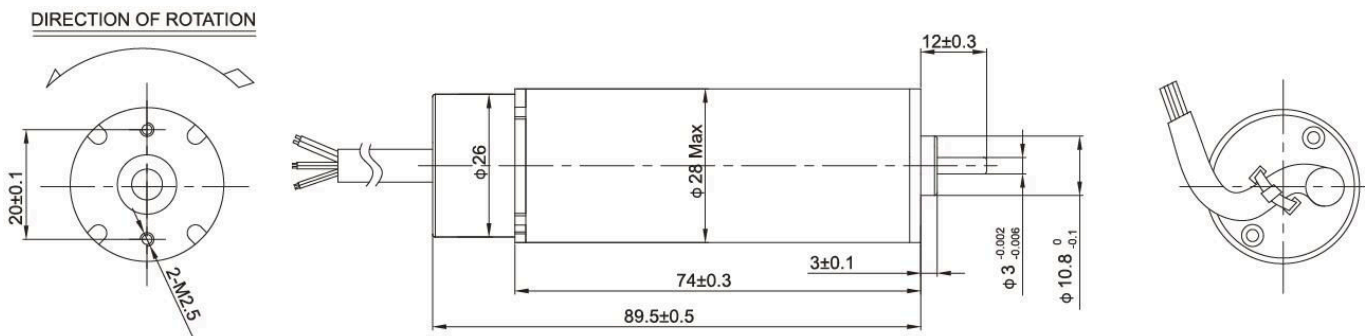
2874 Brush DC Motor



Output:
Approx 3W~15W
DC Motor

Typical application:
Printer
Automobile products
Rear box of automobile
Air pump

Dimensions



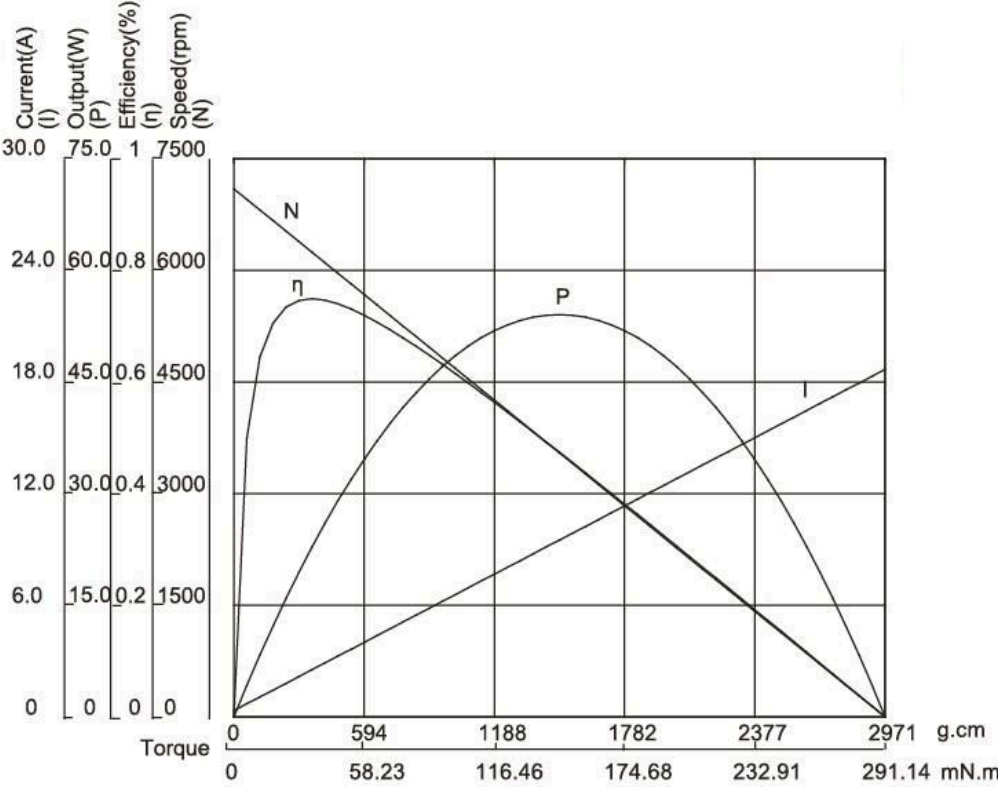
Specification

Model	Voltage [V]		No load		At maximum efficiency				Stall	
	Operating range	Nominal	Speed [rpm]	Current [A]	Speed [rpm]	Current [A]	Torque [mNm]	Output [W]	Torque [mNm]	Current [A]
M012BI0035-28-74	6.0~15.0	12.0	7096	0.33	6250	2.52	34.594	22.69	291.06	18.67

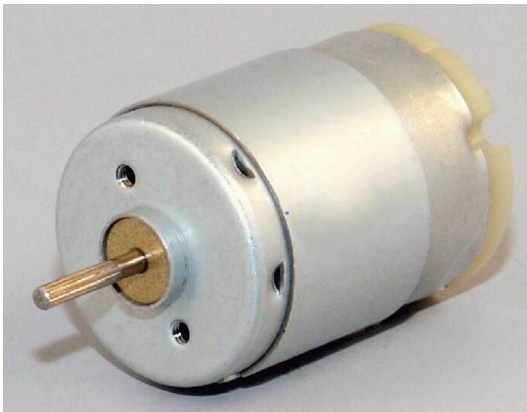
2874 Brush DC Motor

Performance Curve

M012BI0035-28-74, 12.0V



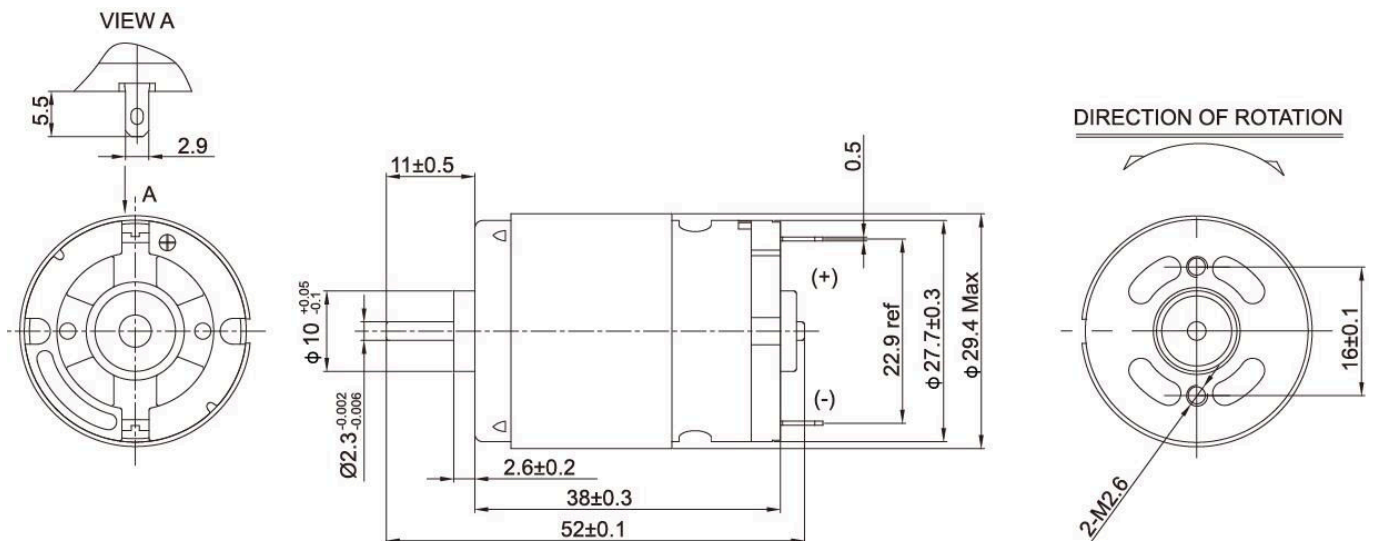
2938 Brush DC Motor



Output:
Approx 0.9W~40W
DC Motor

Typical application:
Home appliances:
Hair dryer

Dimensions



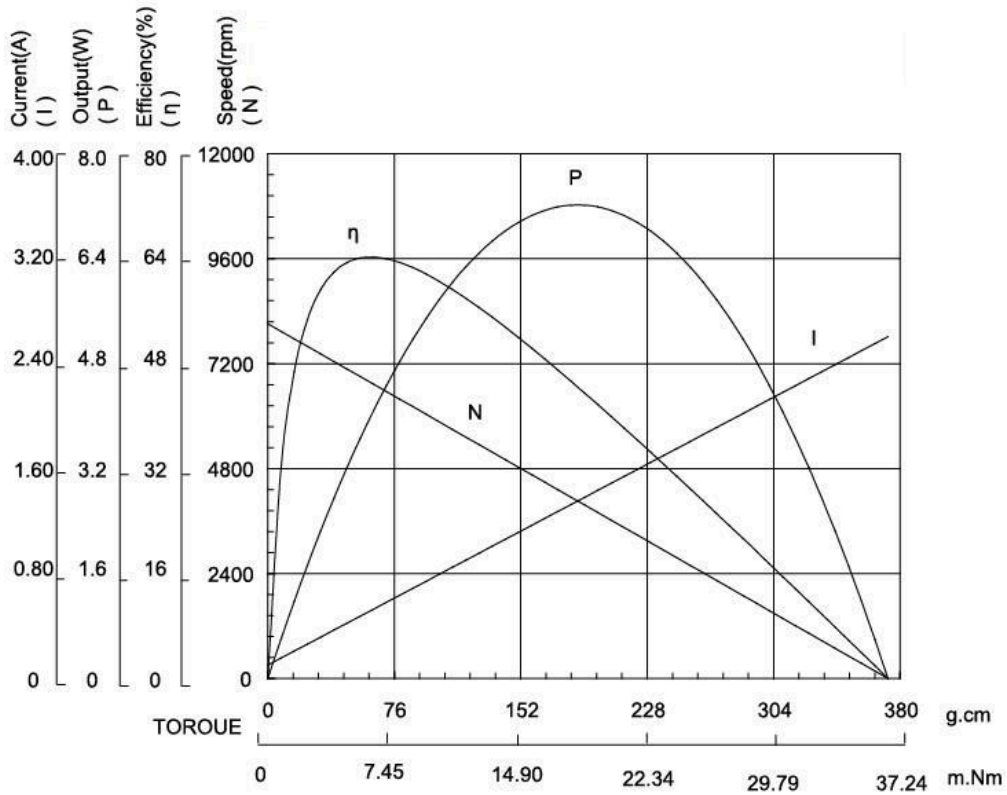
Specification

Model	Voltage [V]		No load		At maximum efficiency				Stall	
	Operating range	Nominal	Speed [rpm]	Current [A]	Speed [rpm]	Current [A]	Torque [mNm]	Output [W]	Torque [mNm]	Current [A]
M012BI0006-29-38	9.0~15.0	12.0	8114	0.103	6768	0.518	6.06	3.99	36.53	2.606
M012BI0005-29-38	9.0~15.0	12.0	5491	0.065	4445	0.276	4.54	1.94	23.85	1.175
M024BI0004-29-38	18.0~30.0	24.0	5276	0.033	4168	0.124	3.95	1.61	18.82	0.467
M024BI0006-29-38	18.0~30.0	24.0	6750	0.051	5525	0.230	6.30	3.34	34.69	1.038

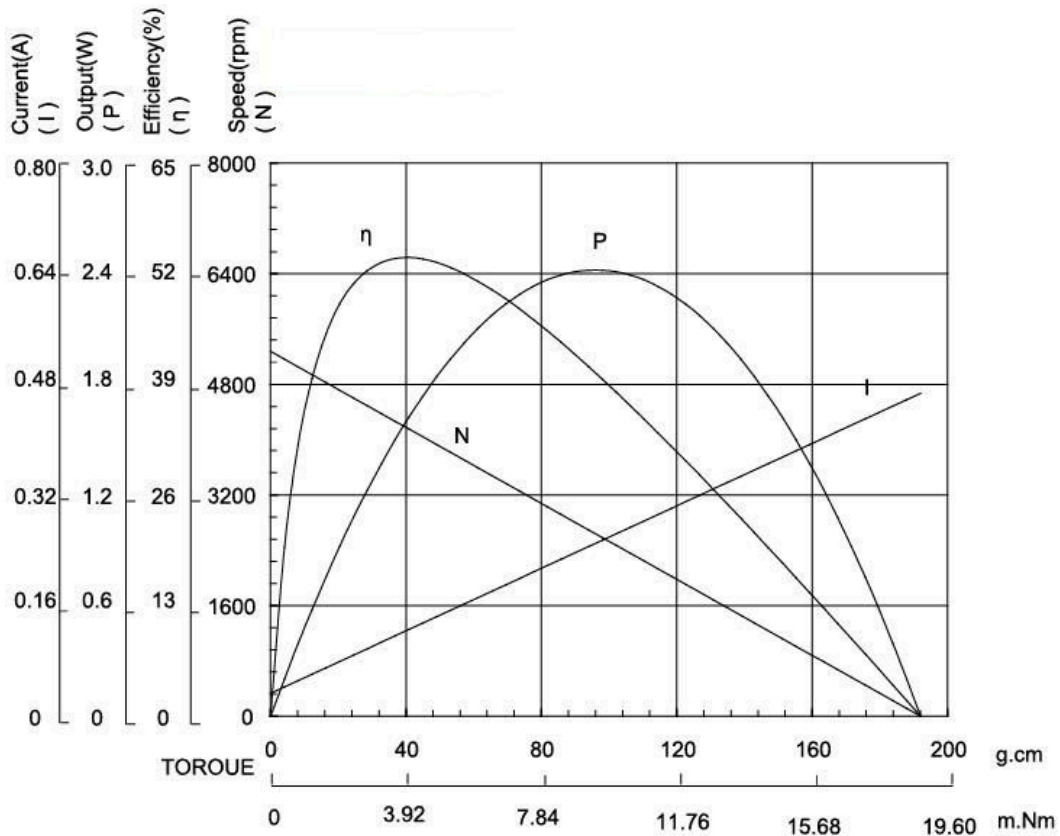
2938 Brush DC Motor

Performance Curve

M012BI0006-29-38, 12.0V



M024BI0004-29-38, 24.0V



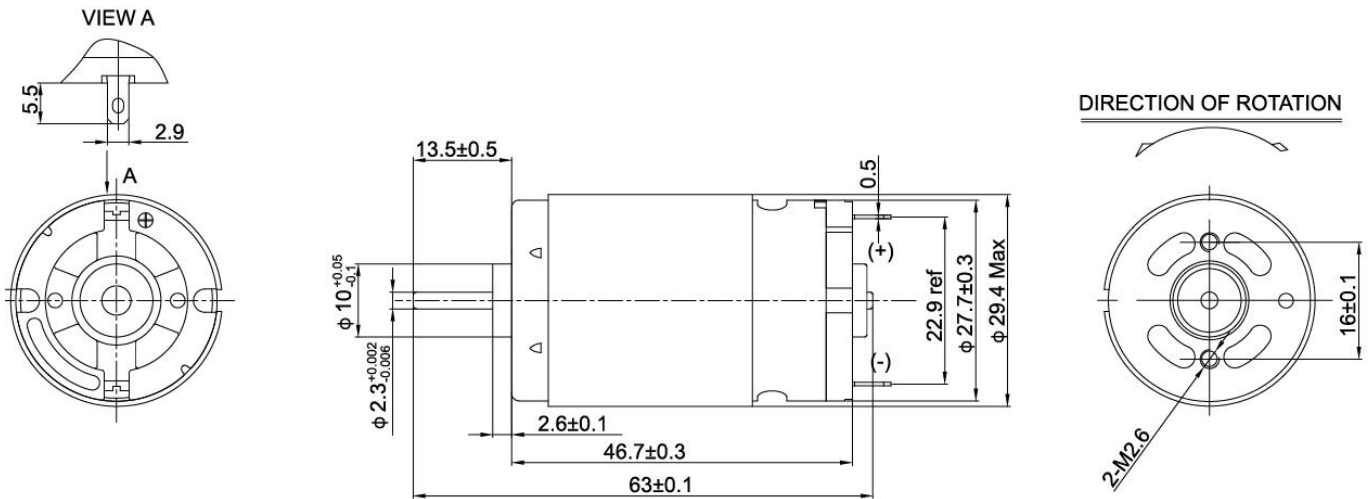
2947 Brush DC Motor



Output:
Approx 1W~50W
DC Motor

Typical application:
Household appliances:
Massager
Vibrator

Dimensions



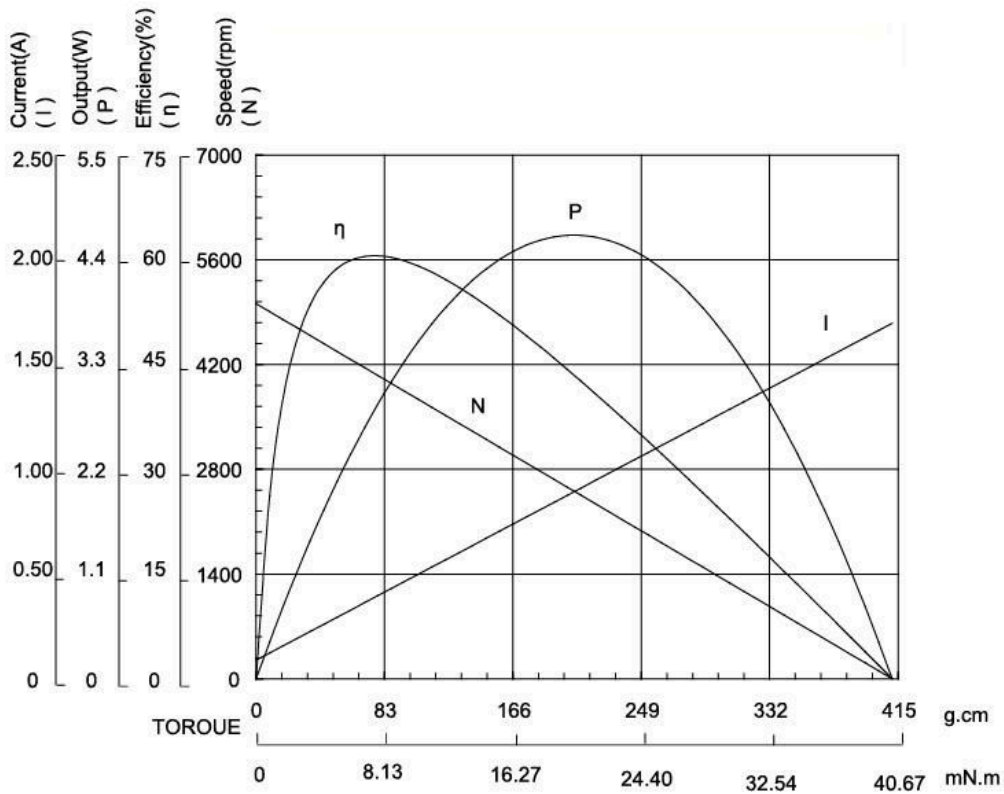
Specification

Model	Voltage [V]		No load		At maximum efficiency				Stall	
	Operating range	Nominal	Speed [rpm]	Current [A]	Speed [rpm]	Current [A]	Torque [mNm]	Output [W]	Torque [mNm]	Current [A]
M012BI0008-29-47	9.0~15.0	12.0	5013	0.089	4079	0.389	7.51	2.77	40.30	1.697
M012BI0007-29-47	9.0~15.0	12.0	4638	0.080	3740	0.333	6.84	2.31	35.32	1.388

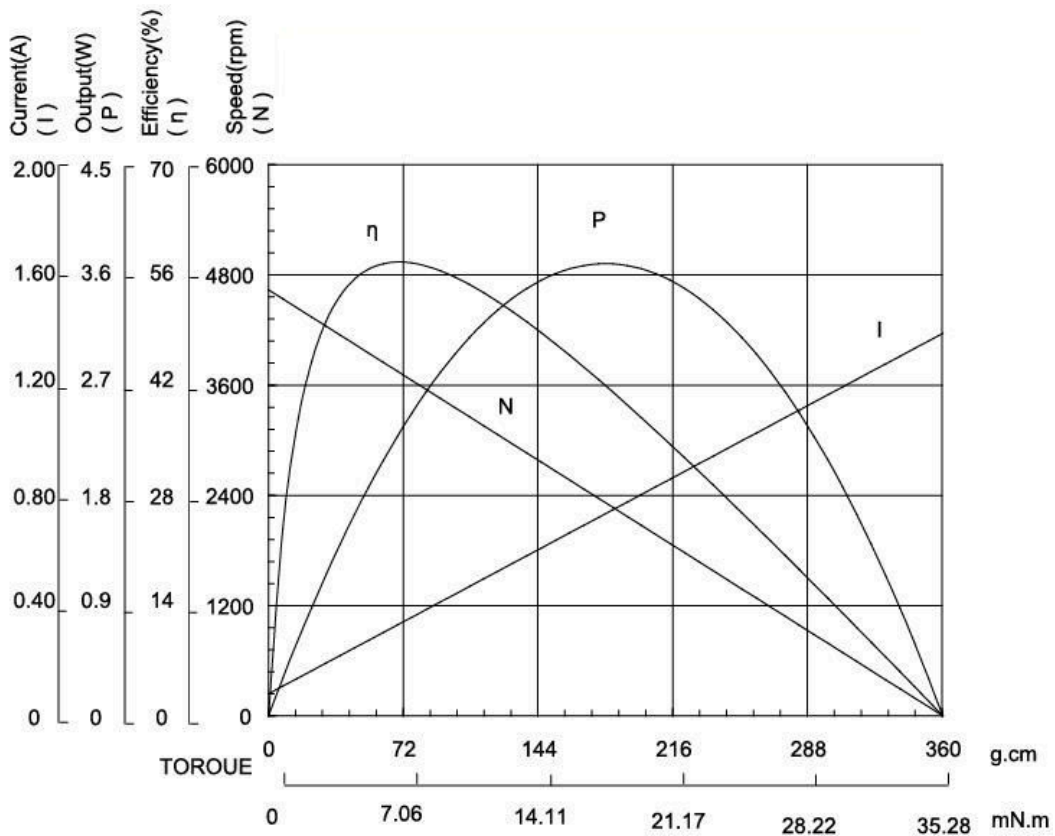
2947 Brush DC Motor

Performance Curve

M012BI0008-29-47, 12.0V



M012BI0007-29-47, 12.0V



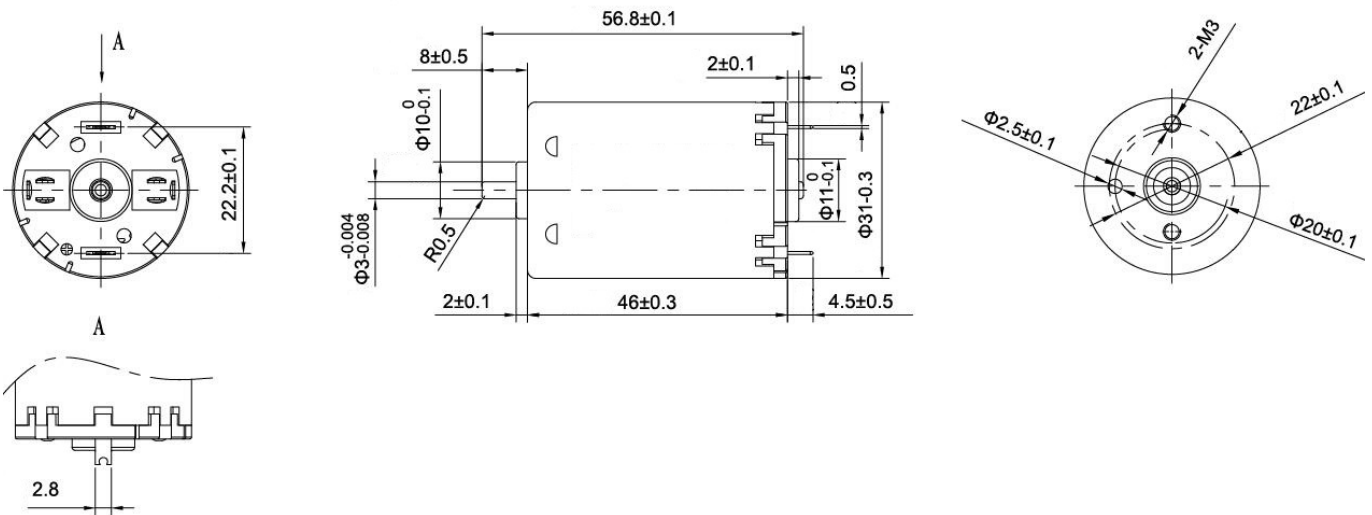
3146 Brush DC Motor



Output:
Approx 5.6W
DC Motor

Typical application:
Swimming pool cleaner

Dimensions



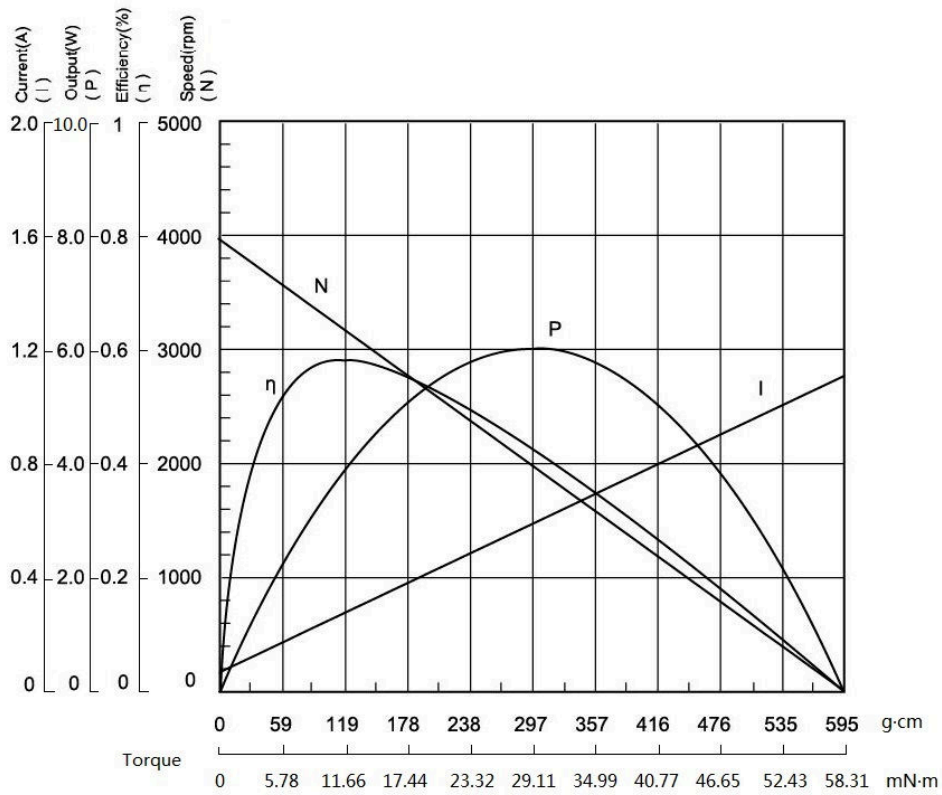
Specification

Model	Voltage [V]		No load		At maximum efficiency				Stall	
	Operating range	Nominal	Speed [rpm]	Current [A]	Speed [rpm]	Current [A]	Torque [mNm]	Output [W]	Torque [mNm]	Current [A]
M024BI0012-31-46	15.0~30.0	24.0	3200	0.1	2900	0.35	12	8.4	58	1.11
M014BI0008-31-46	9.0~18.0	13.5	4150	0.09	3350	0.36	8.2	4.9	40.8	1.43

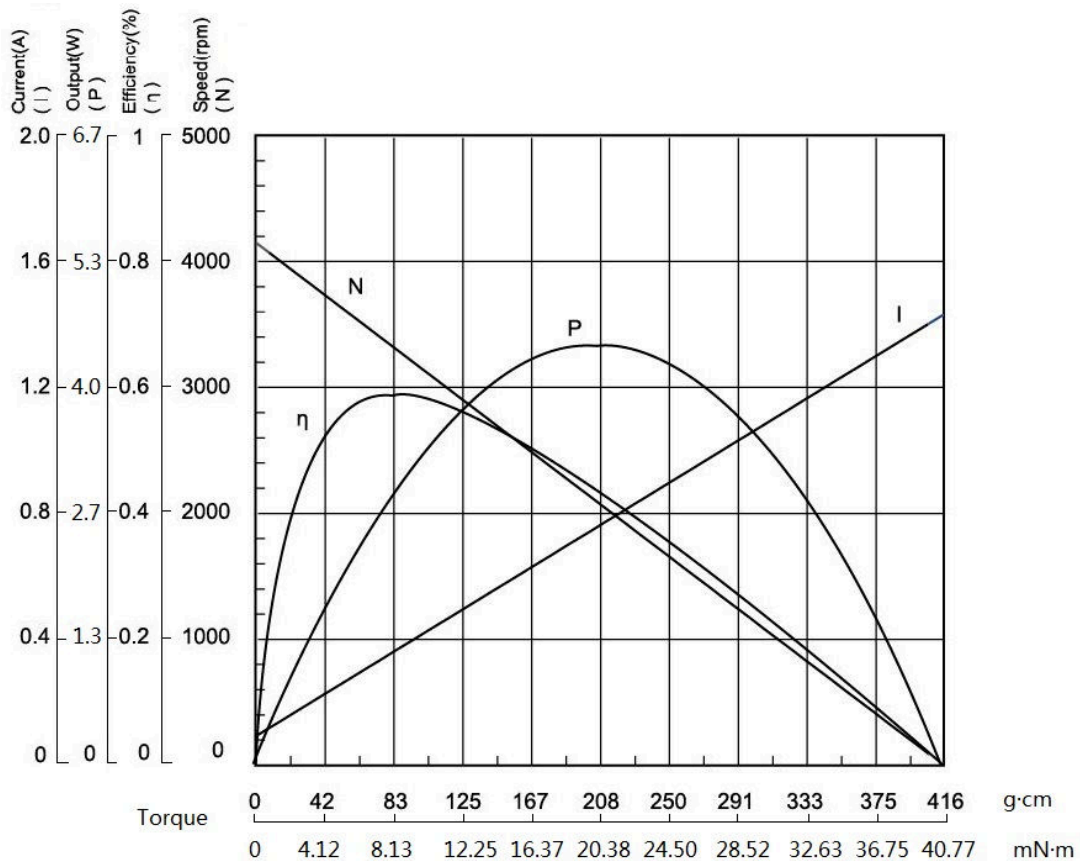
3146 Brush DC Motor

Performance Curve

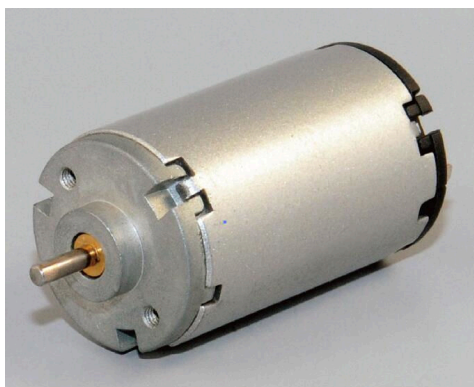
M024BI0012-31-46, 24.0V



M014BI0008-31-46, 13.5V



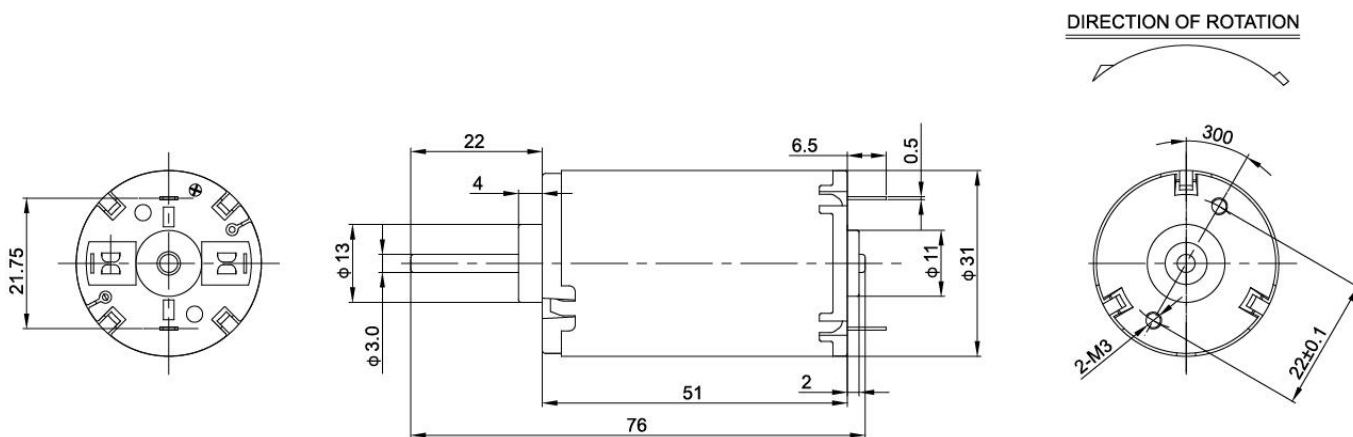
3151 Brush DC Motor



Output:
Approx 2W~30W
DC Motor

Typical application:
Printer
Automobile products
Rear box of automobile

Dimensions



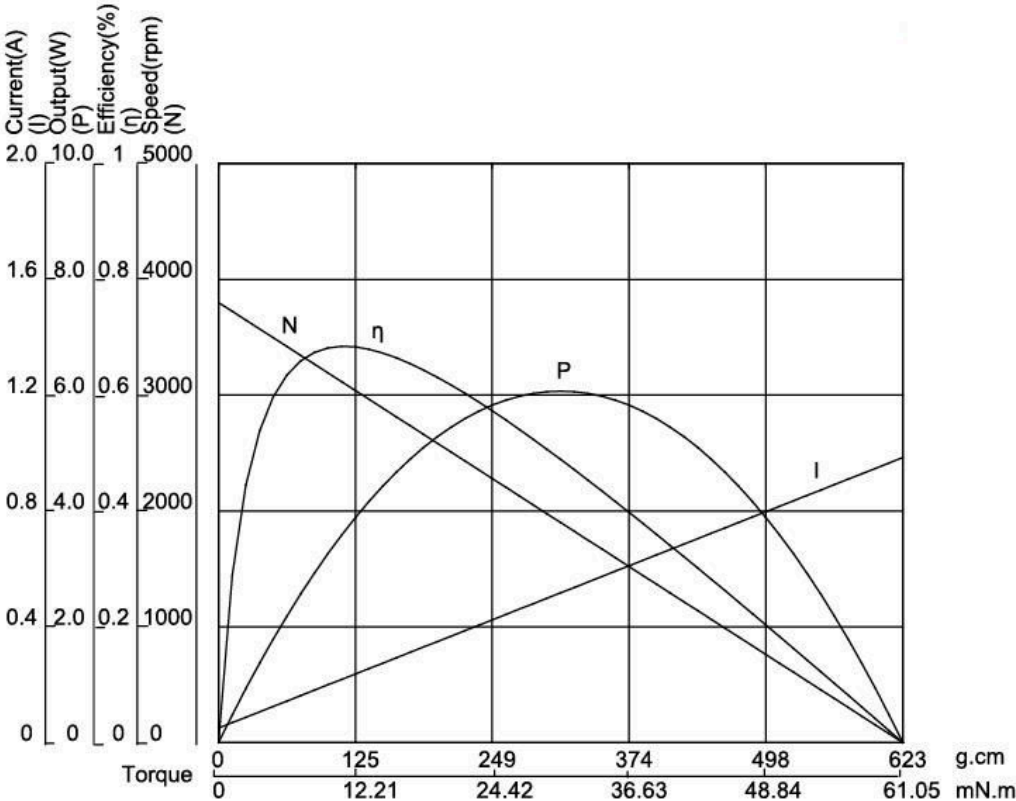
Specification

Model	Voltage [V]		No load		At maximum efficiency				Stall	
	Operating range	Nominal	Speed [rpm]	Current [A]	Speed [rpm]	Current [A]	Torque [mNm]	Output [W]	Torque [mNm]	Current [A]
M012BI0010-31-51	6.0~15.0	12.0	3600	0.07	3050	0.38	9.8	3.14	63.4	2.08
M024BI0011-31-51	15.0~28.0	24.0	3800	0.045	3180	0.22	10.78	3.66	66.05	1.12
M012BI0018-31-51	6.0~15.0	12.0	5950	0.14	5275	1.1	17.64	9.75	155.43	8.55

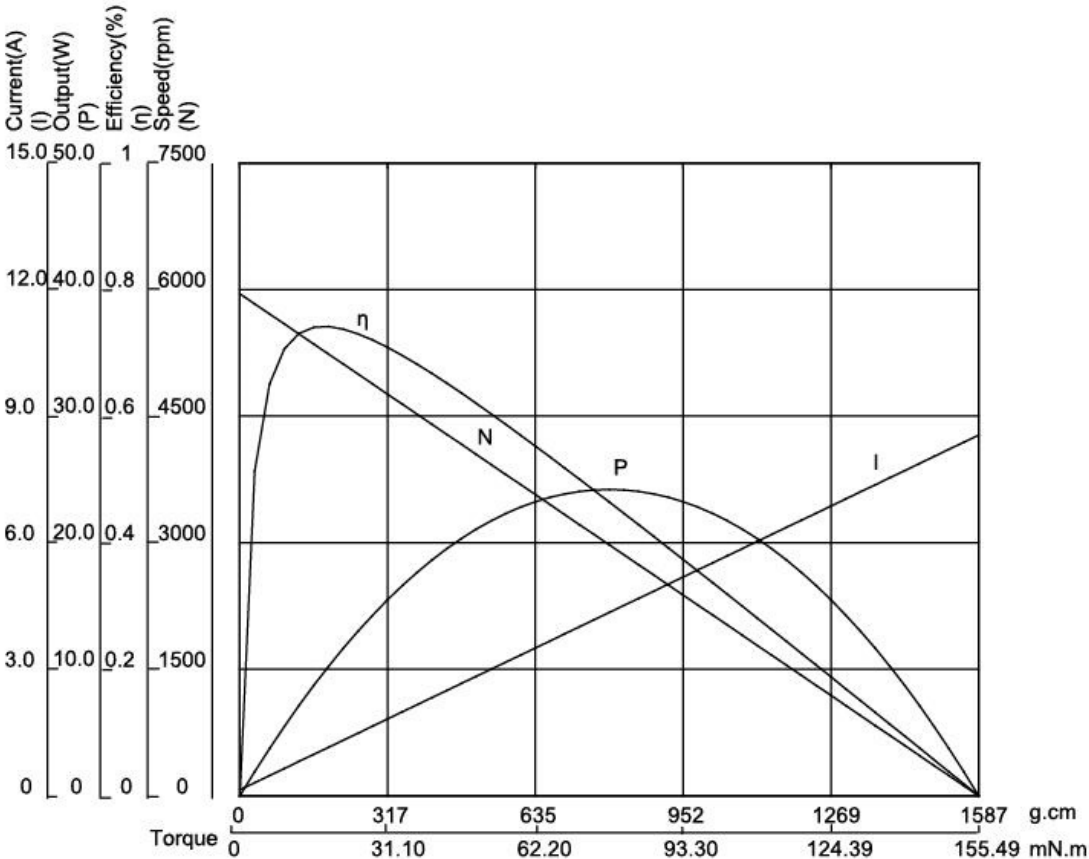
3151 Brush DC Motor

Performance Curve

M024BI0011-31-51, 24.0V



M012BI0018-31-51, 12.0V



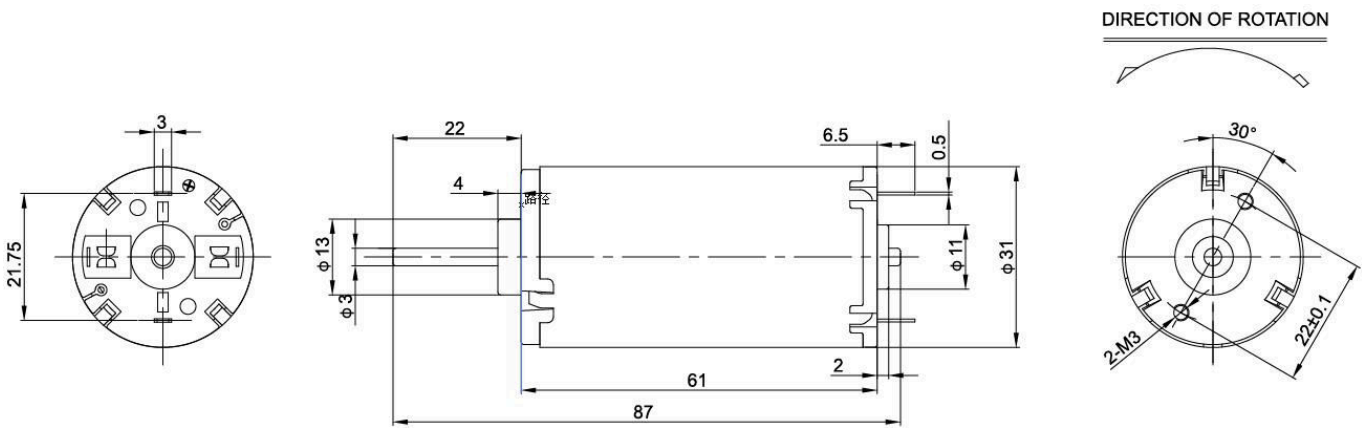
3161 Brush DC Motor



Output:
Approx 2W~30W
DC Motor

Typical application:
Printer
Automobile products
Rear box of automobile

Dimension



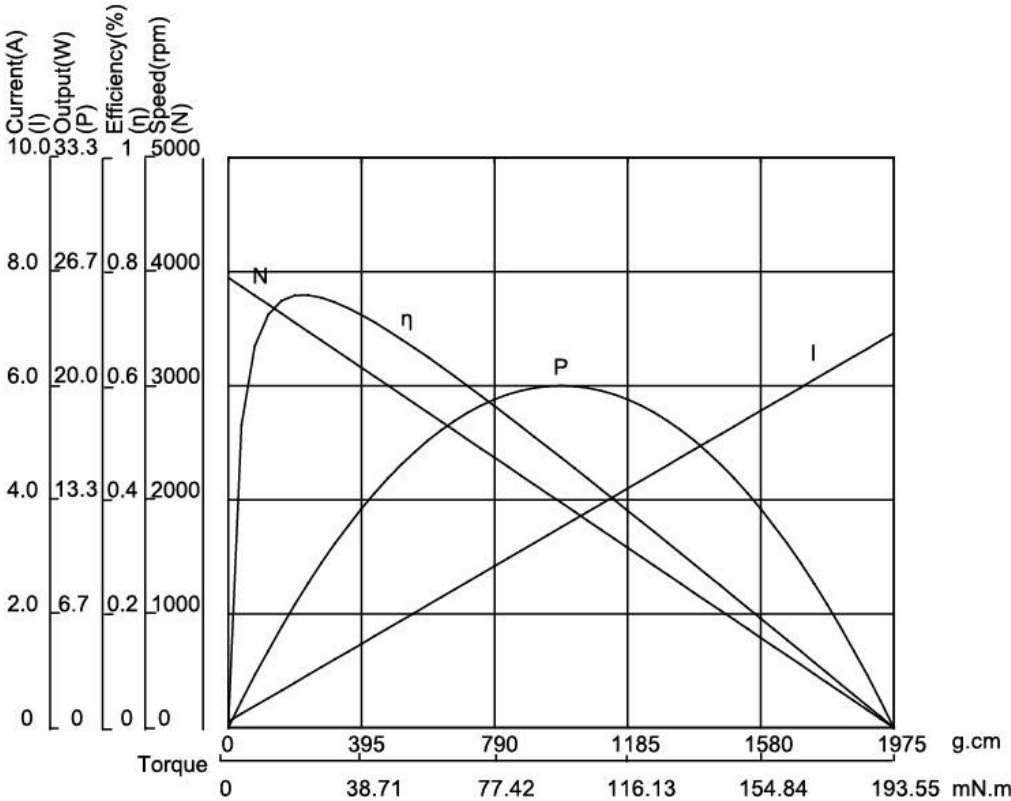
Specification

Model	Voltage [V]		No load		At maximum efficiency				Stall	
	Operating range	Nominal	Speed [rpm]	Current [A]	Speed [rpm]	Current [A]	Torque [mNm]	Output [W]	Torque [mNm]	Current [A]
M012BI0022-31-61	6.0~15.0	12.0	3950	0.11	3508	0.87	21.56	7.97	193.55	6.92
M009BI0025-31-61	6.0~12.0	9.0	6700	0.30	5950	2.37	25.38	15.84	226.38	18.78
M009BI0023-31-61	15.0~28.0	9.0	6700	0.06	3488	0.45	22.64	8.28	193.55	3.42
M014BI0014-31-61	6.0~15.0	13.5	4616	0.11	3907	0.62	14	8.37	90.59	3.4

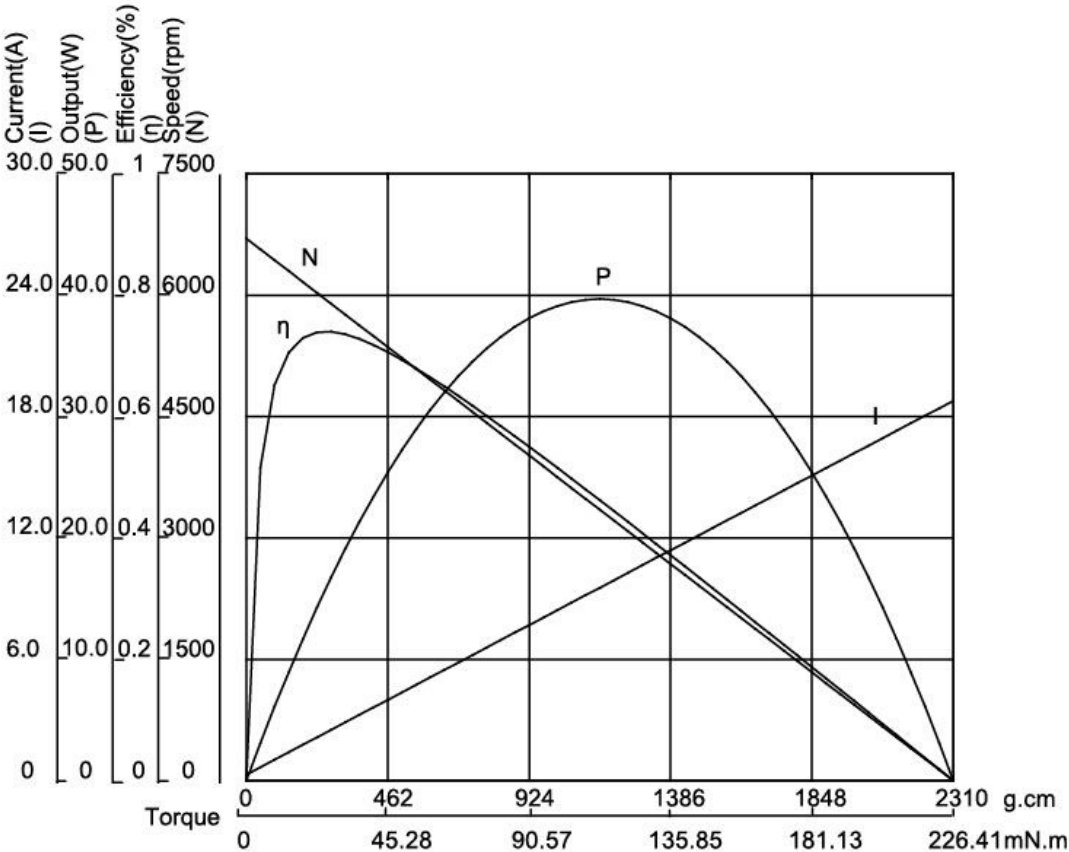
3161 Brush DC Motor

Performance Curve

M012BI0022-31-61, 12.0V



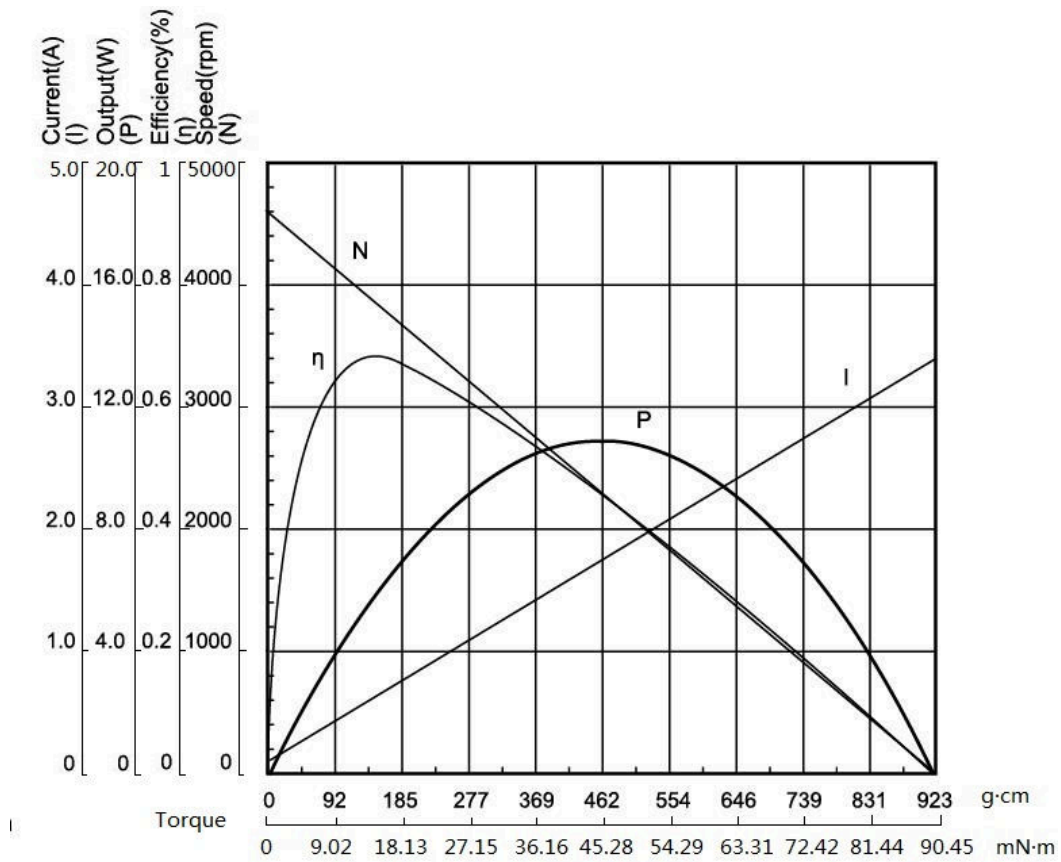
M009BI0025-31-61, 9.0V



3161 Brush DC Motor



M014BI0014-31-61, 13.5V



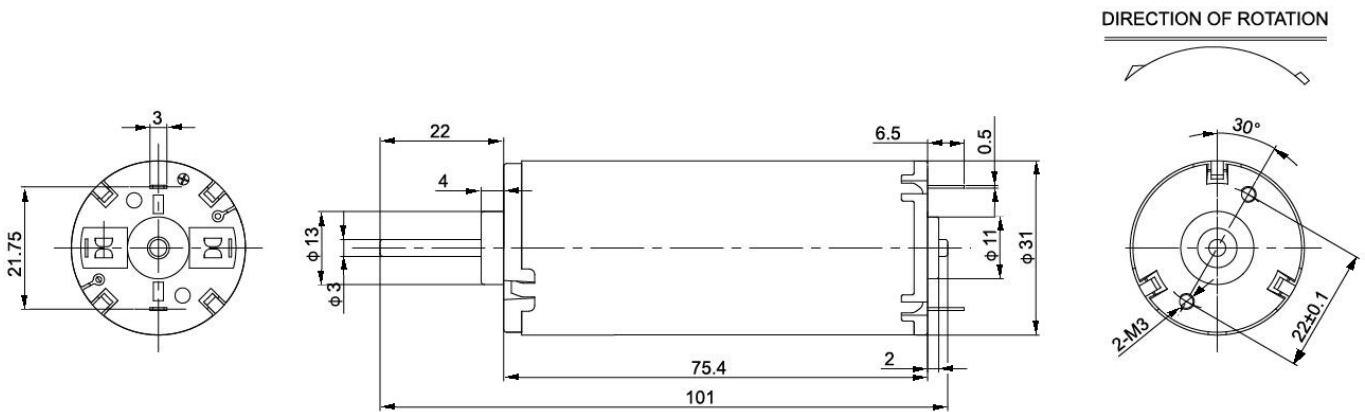
3175 Brush DC Motor



Output:
Approx 2W~30W
DC Motor

Typical application:
Printer
Automobile products
Rear box of automobile

Dimensions



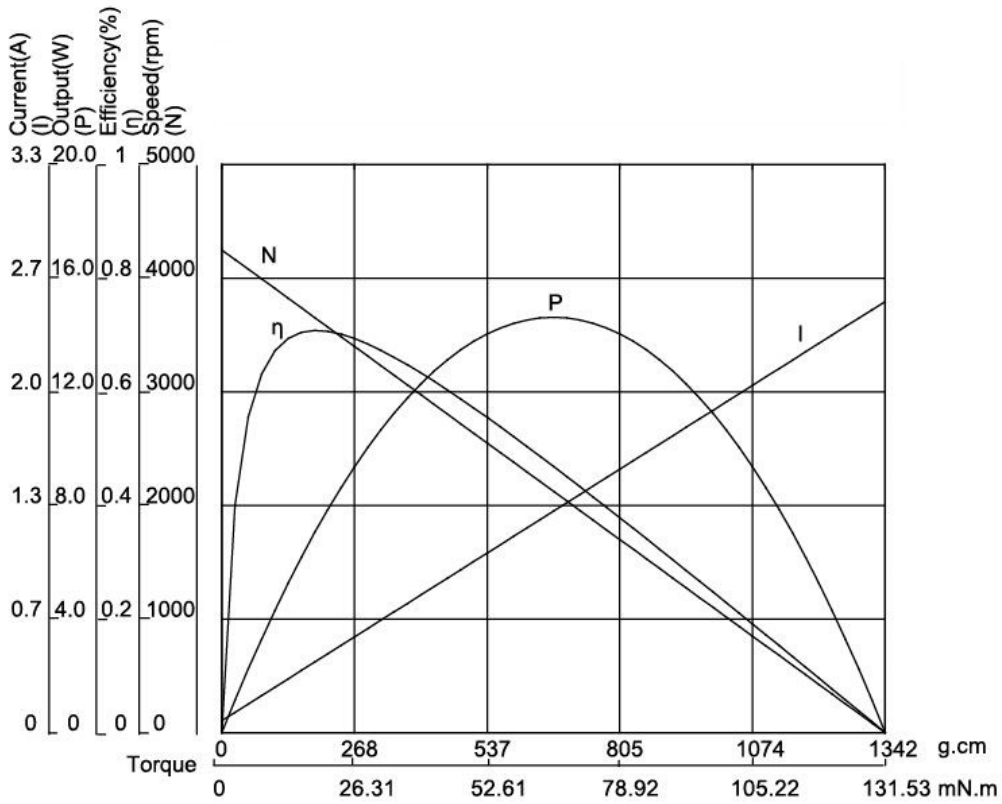
Specification

Model	Voltage [V]		No load		At maximum efficiency				Stall	
	Operating range	Nominal	Speed [rpm]	Current [A]	Speed [rpm]	Current [A]	Torque [mNm]	Output [W]	Torque [mNm]	Current [A]
M024BI0019-31-75	15.0~28.0	24.0	4250	0.07	3644	0.42	18.76	7.16	131.52	2.53
M012BI0023-31-75	6.0~15.0	12.0	8630	0.21	7835	2.07	22.93	18.82	248.72	20.39
M024BI0052-31-75	15.0~28.0	24.0	8100	0.30	7090	2.11	52.08	37.71	417.77	14.79

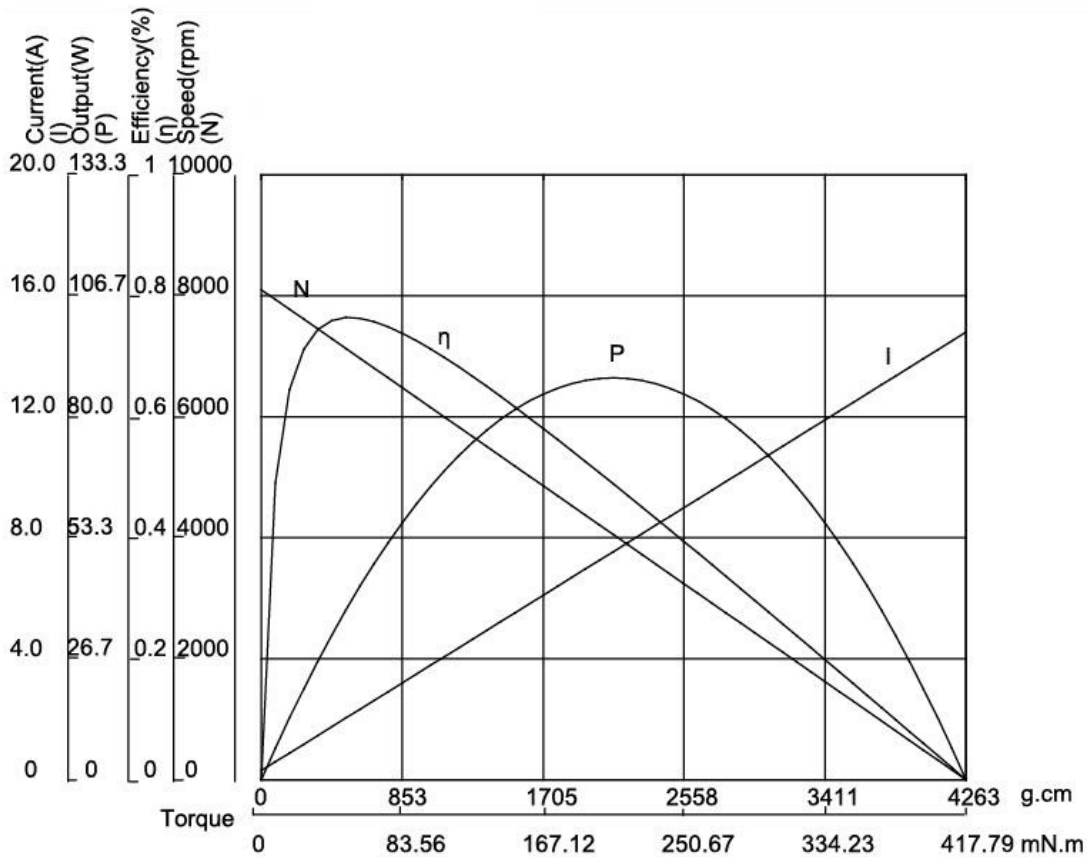
3175 Brush DC Motor

Performance Curve

M024BI0019-31-75, 24.0V



M024BI0052-31-75, 24.0V



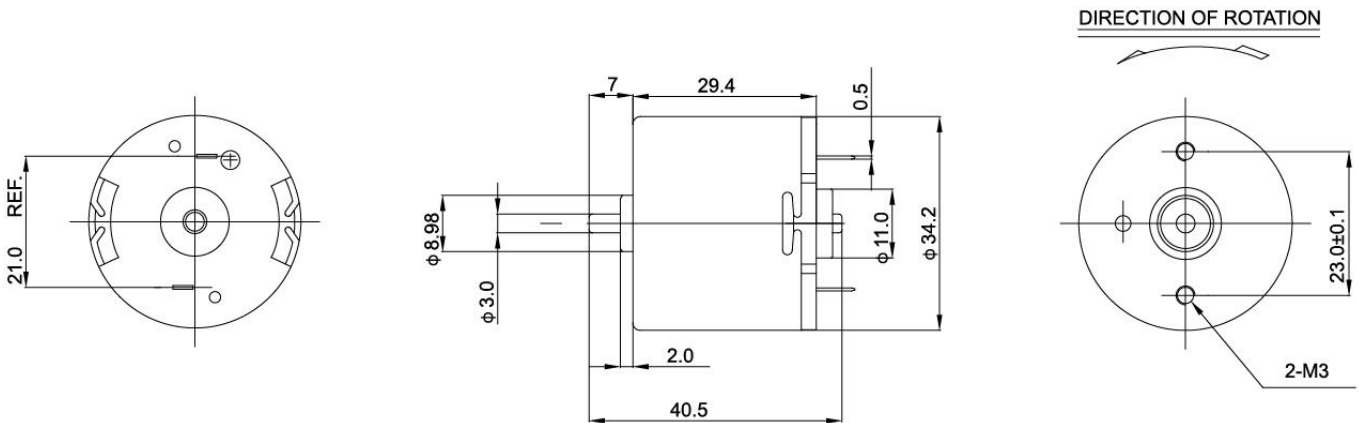
3429 Brush DC Motor



Output:
Approx. 0.5W~10W
DC Motor

Typical application:
Industrials equipments:
Gear head

Dimensions



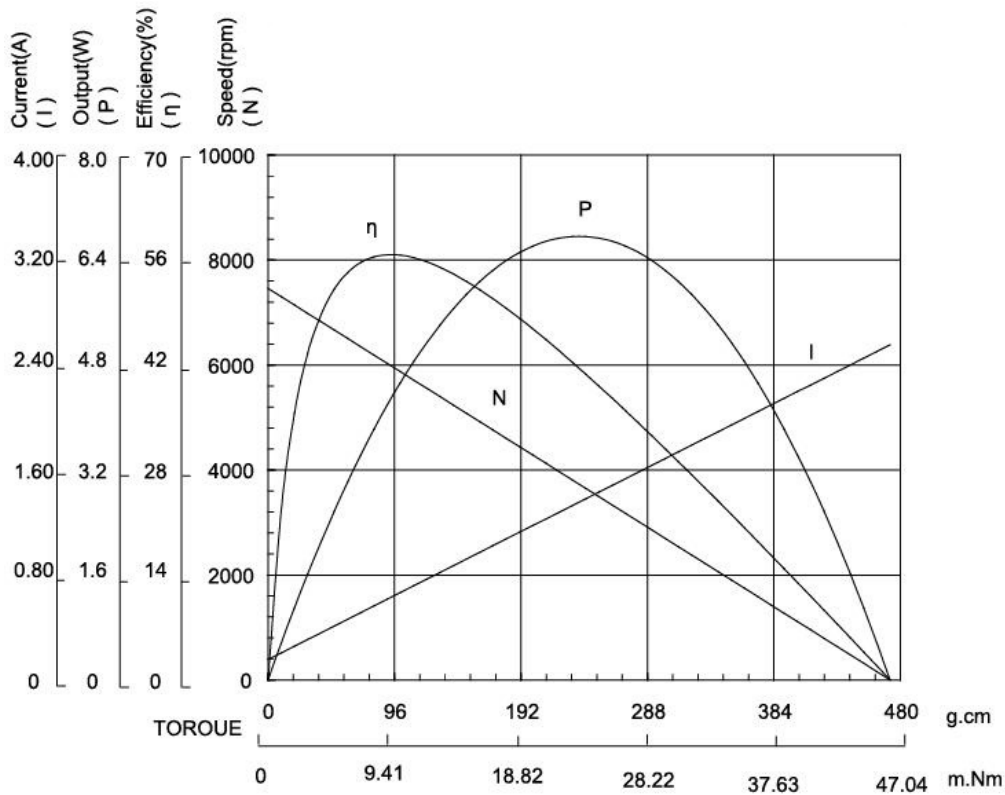
Specification

Model	Voltage [V]		No load		At maximum efficiency				Stall	
	Operating range	Nominal	Speed [rpm]	Current [A]	Speed [rpm]	Current [A]	Torque [mNm]	Output [W]	Torque [mNm]	Current [A]
M012BI0009-34-29	9.0~18.0	12.0	7461	0.156	5983	0.631	9.17	4.29	46.28	2.555
M012BI0008-34-29	9.0~18.0	12.0	9515	0.154	8025	0.829	8.55	6.60	54.59	4.466
M012BI0010-34-29	18.0~30.0	24.0	7550	0.075	6250	0.361	9.65	5.43	56.05	1.734
M012BI0007-34-29	18.0~30.0	24.0	4884	0.050	4031	0.236	7.48	3.52	42.81	1.116

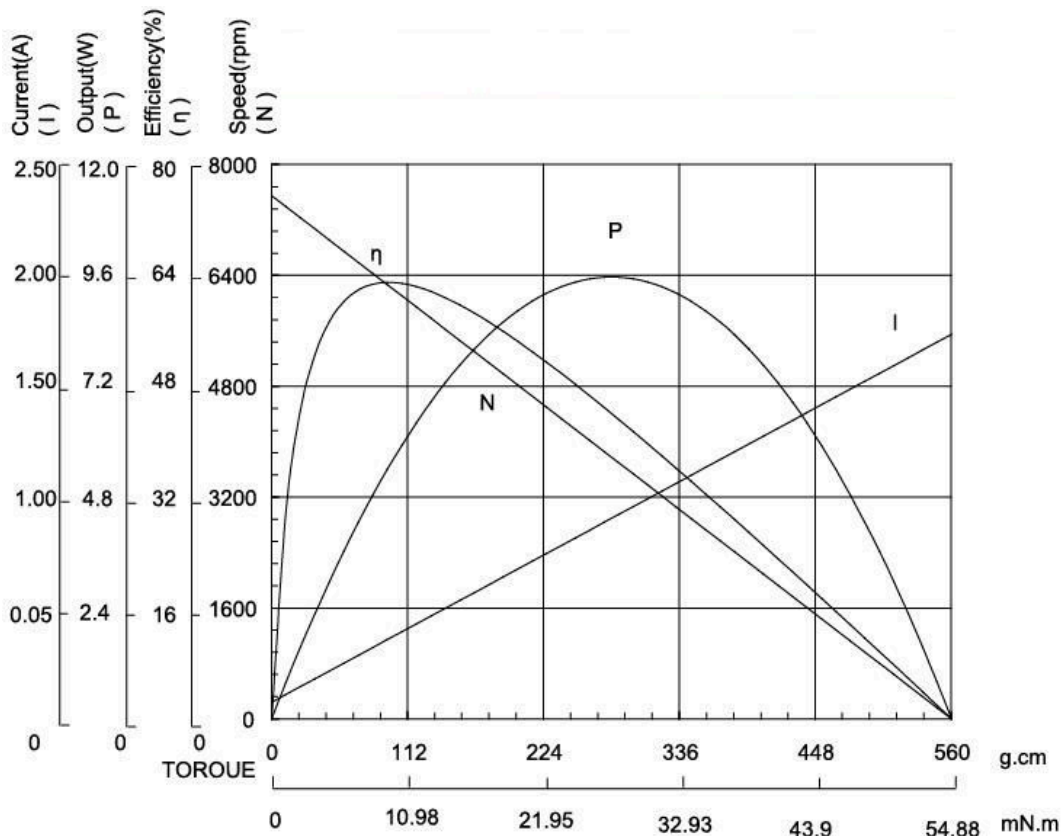
3429 Brush DC Motor

Performance Curve

M012BI0009-34-29, 12.0V



M012BI0010-34-29, 24.0V



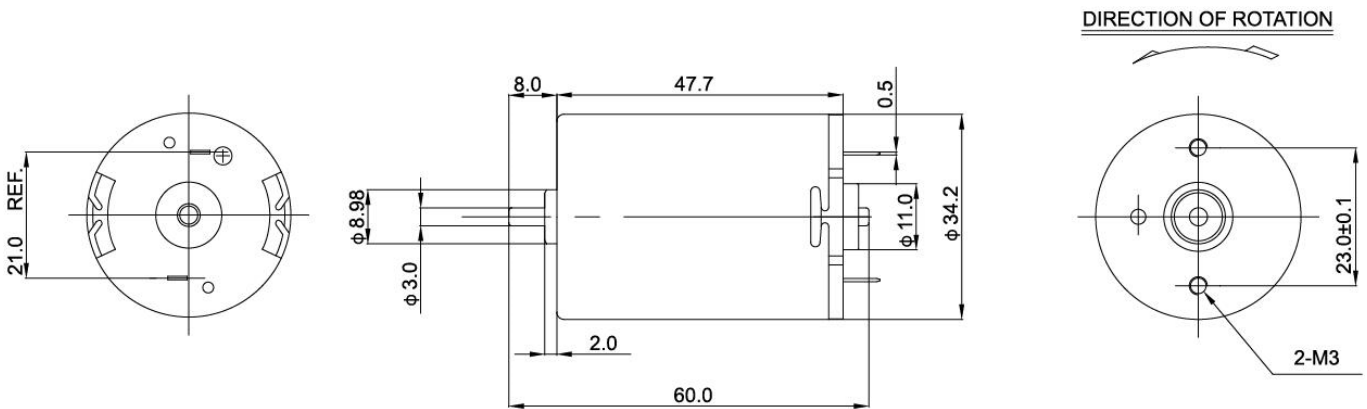
3448 Brush DC Motor



Output:
Approx 0.5W~10W
DC Motor

Typical application:
Industrials equipments:
Gear head

Dimensions



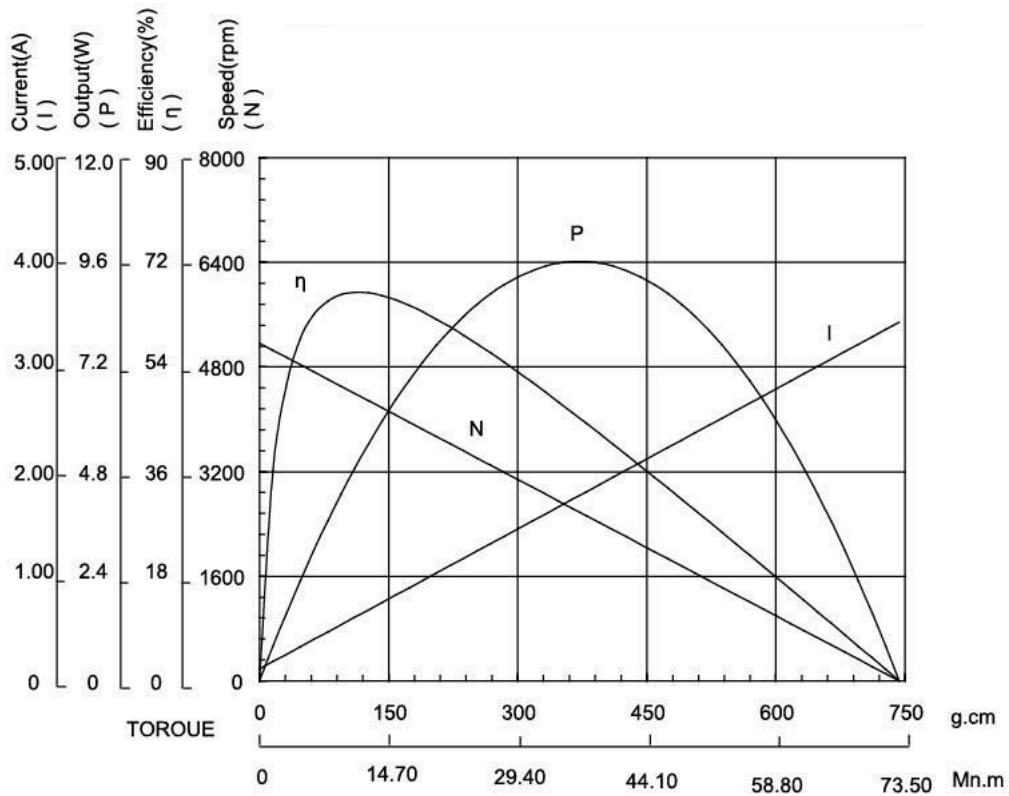
Specification

Model	Voltage [V]		No load		At maximum efficiency				Stall	
	Operating range	Nominal	Speed [rpm]	Current [A]	Speed [rpm]	Current [A]	Torque [mNm]	Output [W]	Torque [mNm]	Current [A]
M012BI0011-34-48	9.0~18.0	12.0	5165	0.114	4368	0.625	11.23	5.02	72.83	3.429
M012BI0013-34-48	9.0~18.0	12.0	7273	0.165	6265	1.026	12.88	8.67	92.93	6.376
M024BI0013-34-48	12.0~28.0	24.0	5075	0.052	4344	0.309	13.26	5.13	92.10	1.838
M024BI0012-34-48	12.0~30.0	24.0	4087	0.048	3428	0.250	11.50	3.91	71.40	1.301

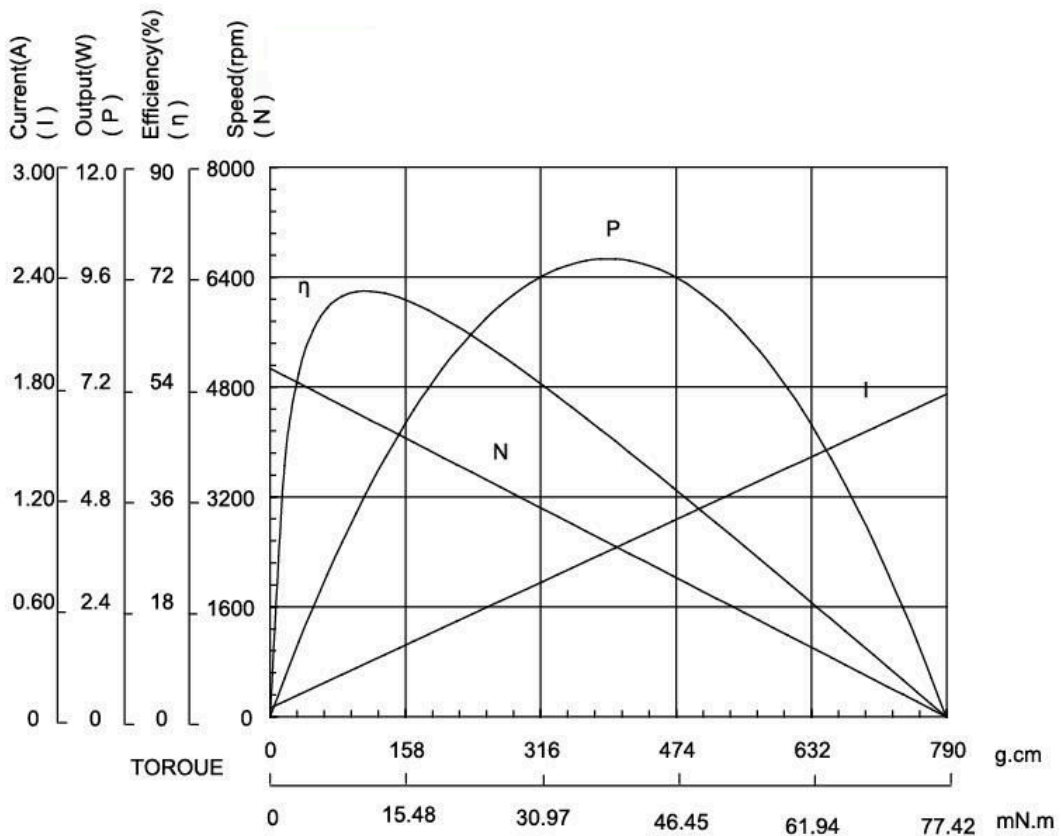
3448 Brush DC Motor

Performance Curve

M012BI0011-34-48, 12.0V



M024BI0013-34-48, 24.0V



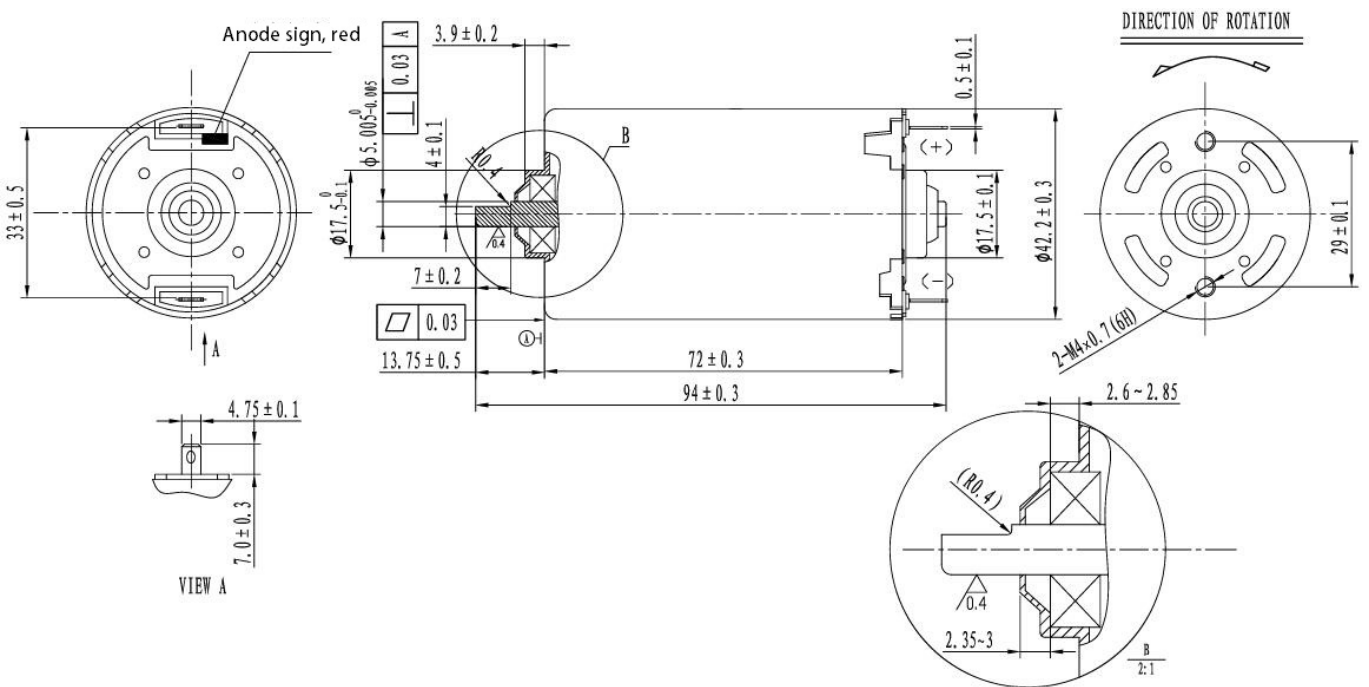
4272 Brush DC Motor



Output:
Approx 45W~70W
DC Motor

Typical application:
Car seat

Dimensions



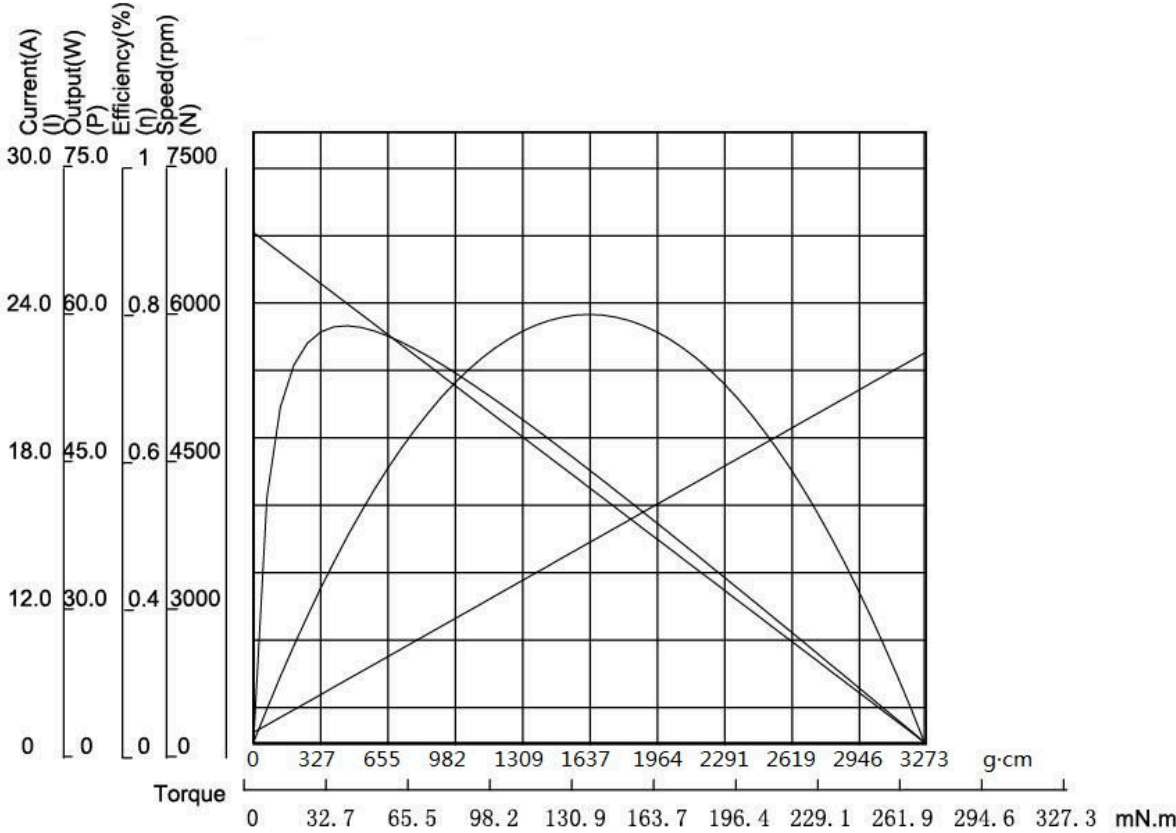
Specification

Model	Voltage [V]		No load		At maximum efficiency				Stall	
	Operating range	Nominal	Speed [rpm]	Current [A]	Speed [rpm]	Current [A]	Torque [mNm]	Output [W]	Torque [mNm]	Current [A]
M012BI0045-42-72	9.0~15.0	12.0	6265	0.48	5400	3.03	44.8	25	327.5	19.5
M024BI0052-42-72	15.0~28.0	24.0	6050	0.22	5360	1.7	51.6	28	451	13.5

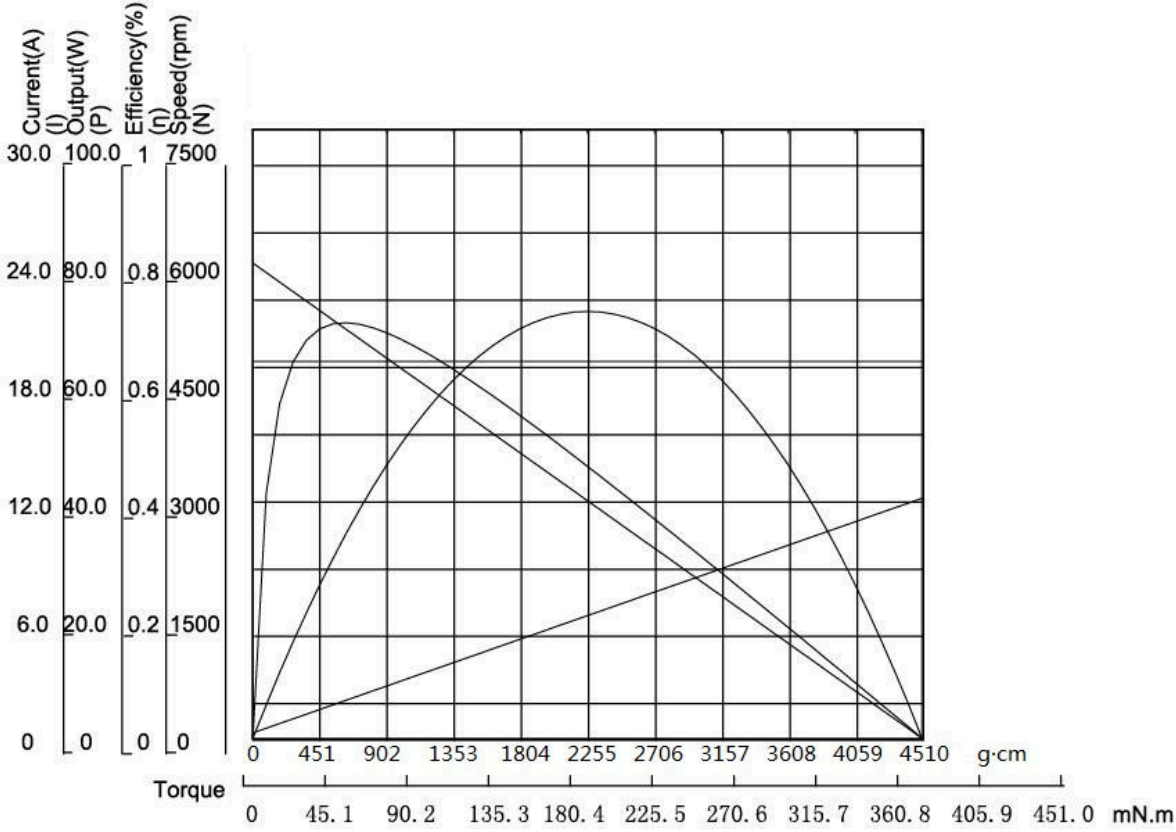
4272 Brush DC Motor

Performance Curve

M012BI0045-42-72, 12.0V



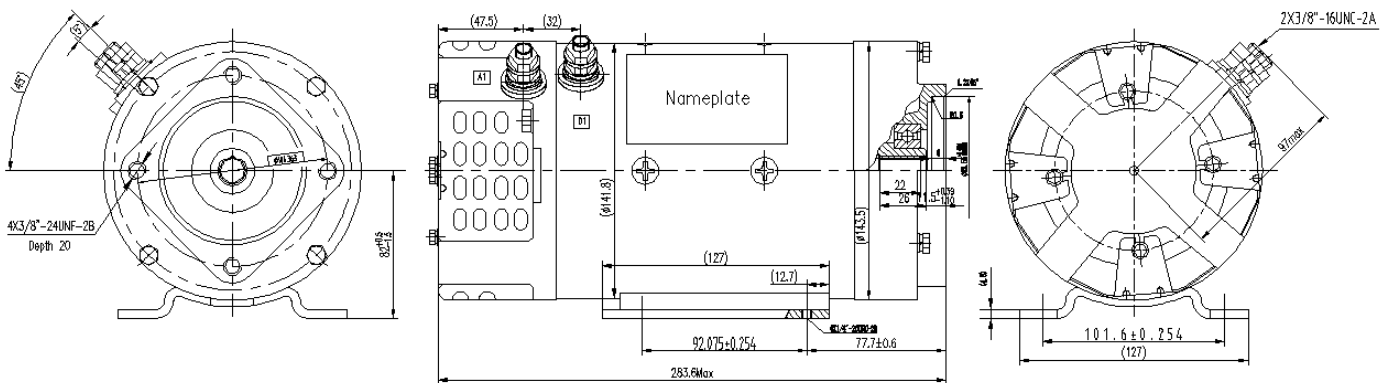
M024BI0052-42-72, 24.0V



M024DI0680-143-284 Brush DC Motor



Basic Data	
Type	M024DI0680-143-284
Rated Voltage	24 VDC
Rated Current	180 A
Rated Power	3.3 kW
Rated Speed	2950 rpm
Duty	60 min.
Excitation Mode	Series
Protection Grade	IP20
Insulation Class	H



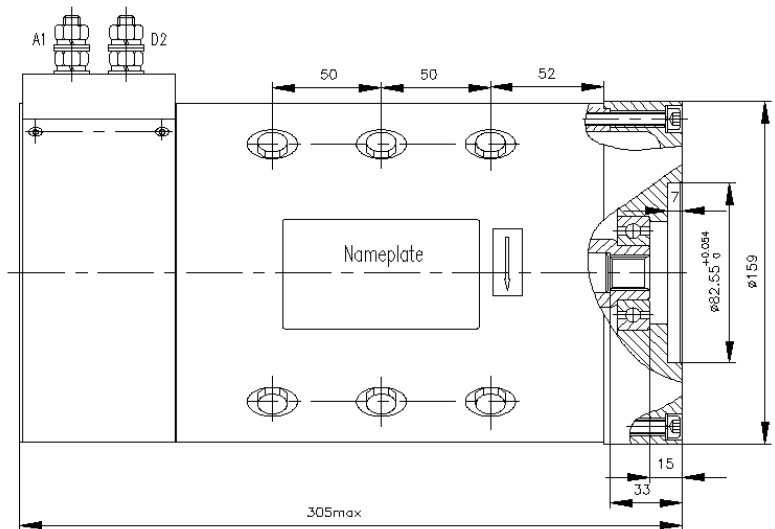
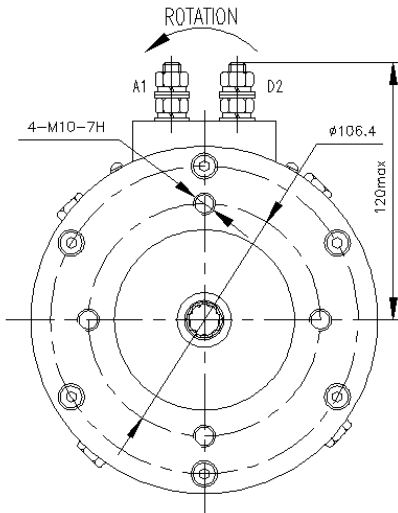
Configuration

- Shaft Modification and double shaft
- Other winding voltage possible
- Other Types available with special length

M048DI21800-159-305 Brush DC motor



Basic Data	
Type	M048DI21800-159-305
Rated Voltage	48 VDC
Rated Current	105 A
Rated Power	4 kW
Rated Speed	1750 rpm
Duty	15 min.
Excitation Mode	Series
Protection Grade	IP20
Insulation Class	H



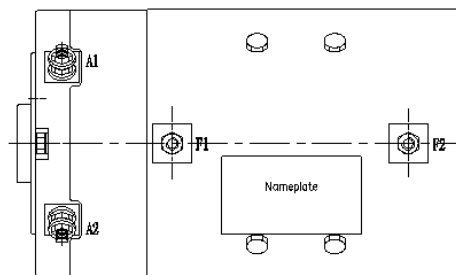
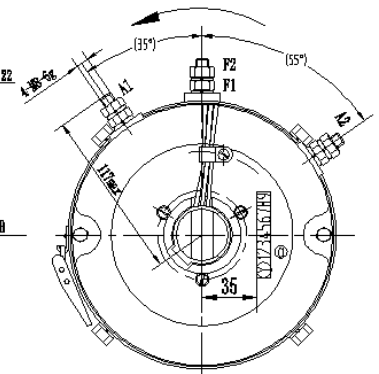
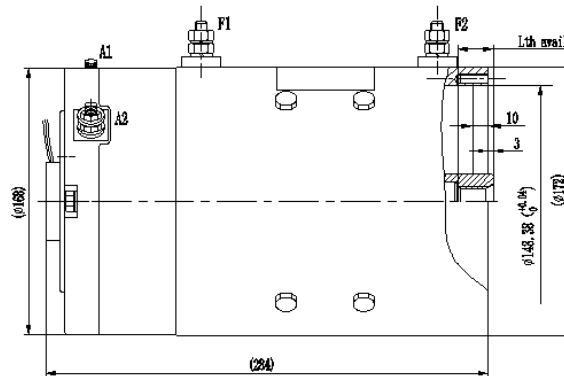
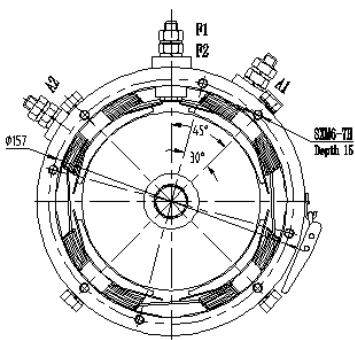
Configuration

- Shaft Modification and double shaft
- Other winding voltage possible
- Other Types available with special length

M048DI12730-172-284 Brush DC motor



Basic Data	
Type	M048DI12730-172-284
Rated Voltage	48 VDC
Rated Current	96 A/8.5 A
Rated Power	4 kW
Rated Speed	3000 rpm
Duty	60 min.
Excitation Mode	Seperated
Protection Grade	IP44
Insulation Class	H



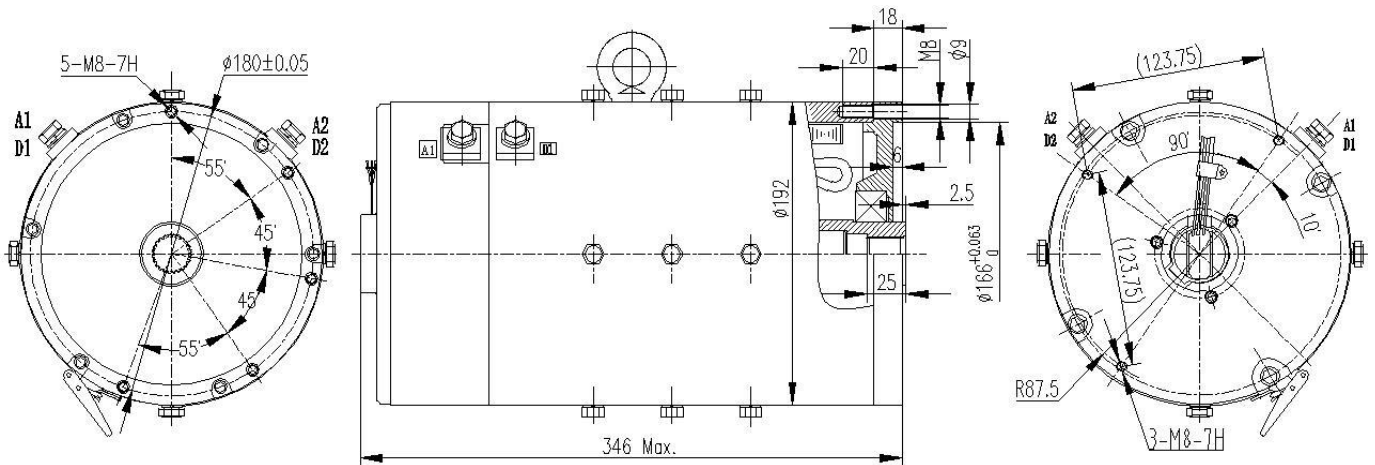
Configuration

- Shaft Modification and double shaft
- Other winding voltage possible
- Other Types available with special length

M072XI0170-192-346 Brush DC Motor



Basic Data	
Type	M072XI0170-192-346
Rated Voltage	72 VDC
Rated Current	86 A
Rated Power	5.0 kW
Rated Speed	2800 rpm
Duty	60 min.
Excitation Mode	Series
Protection Grade	IP20
Insulation Class	H



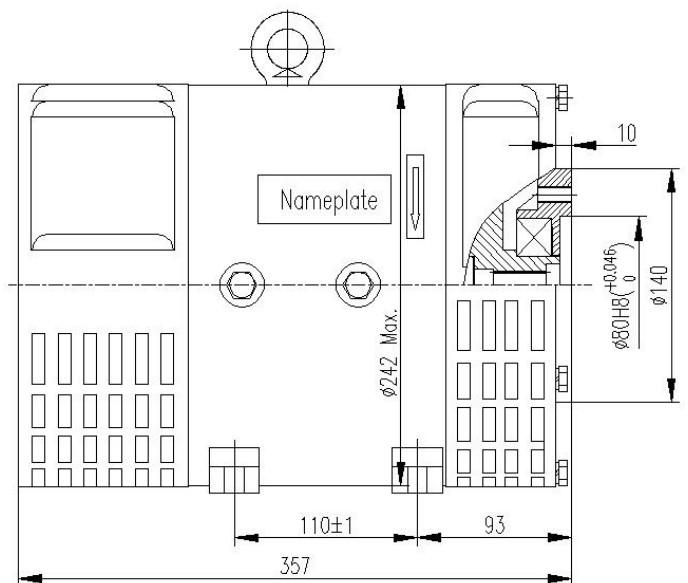
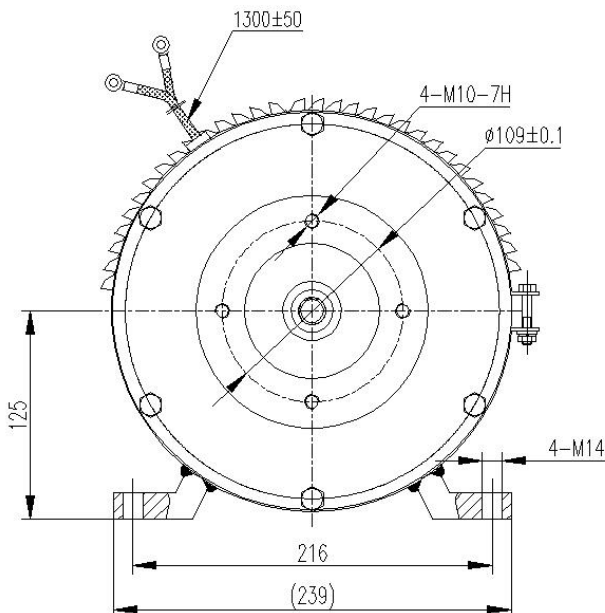
Configuration

- Shaft Modification and double shaft
- Other winding voltage possible
- Other Types available with special length

M045XI0600-242-357 Brush DC Motor



Basic Data	
Type	M045XI0600-242-357
Rated Voltage	45 VDC
Rated Current	275 A
Rated Power	10 kW
Rated Speed	1600 rpm
Duty	15 min.
Excitation Mode	Series
Protection Grade	IP20
Insulation Class	H



Configuration

- Shaft Modification and double shaft
- Other winding voltage possible
- Other Types available with special length