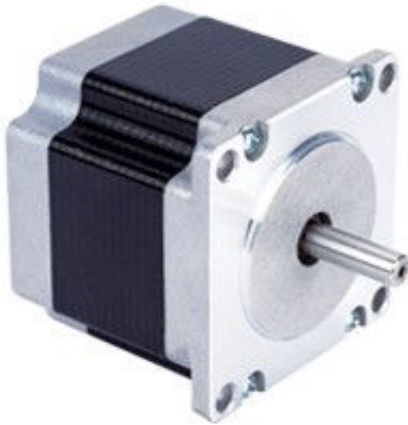


# 57mm S Series BLDC Motor

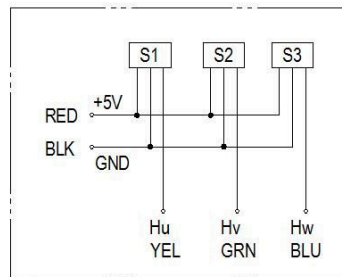


Item	General Specifications
Winding type	Star
Hall Effect Angle	120° Electrical angle
Insulation Class	B
Ambient Temperature Range	-20°C~+50°C
Insulation Resistance	min. 100MΩ, 500VDC
Dielectric Strength	700VAC for one minute
Shaft Radial Play	max. 0.02 (450g-load)
Shaft Axial Play	max. 0.08 (450g-load)
Max. radial force	75N (20mm from the flange)
Max. axial force	15N

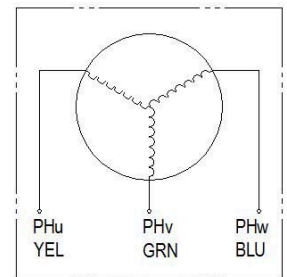
## Configuration

- Encoder
- Brakes
- Shaft Modification and double shaft
- Other winding voltage possible
- Other Types available with special length

## Wiring Diagram

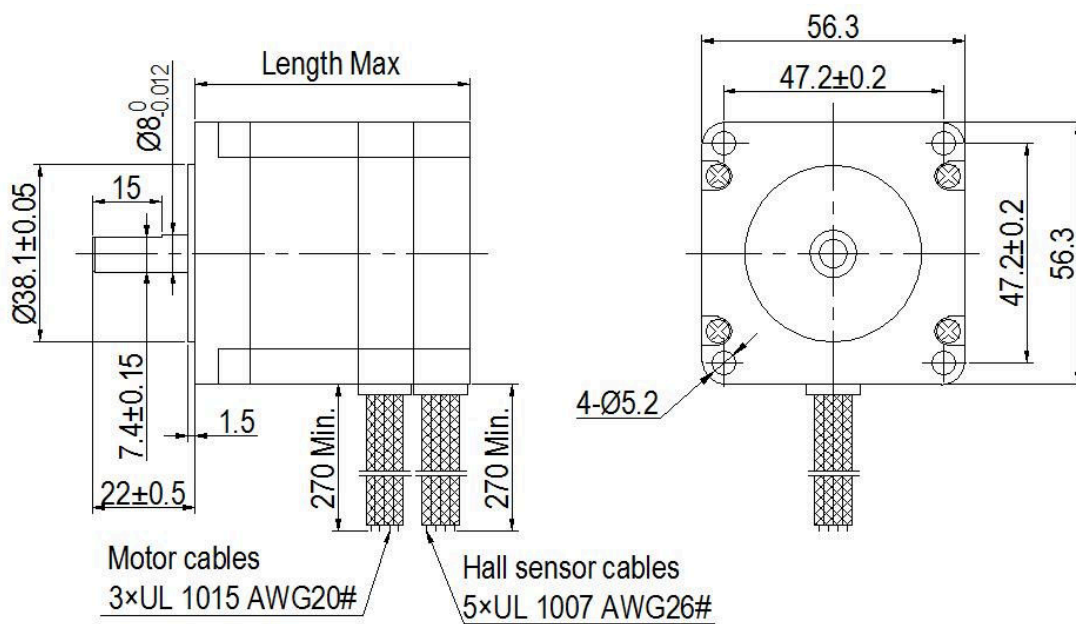


Hall sensor cable  
Note: hall sensor power supply voltage +5~+20VDC



Motor wiring cable

## Dimensions



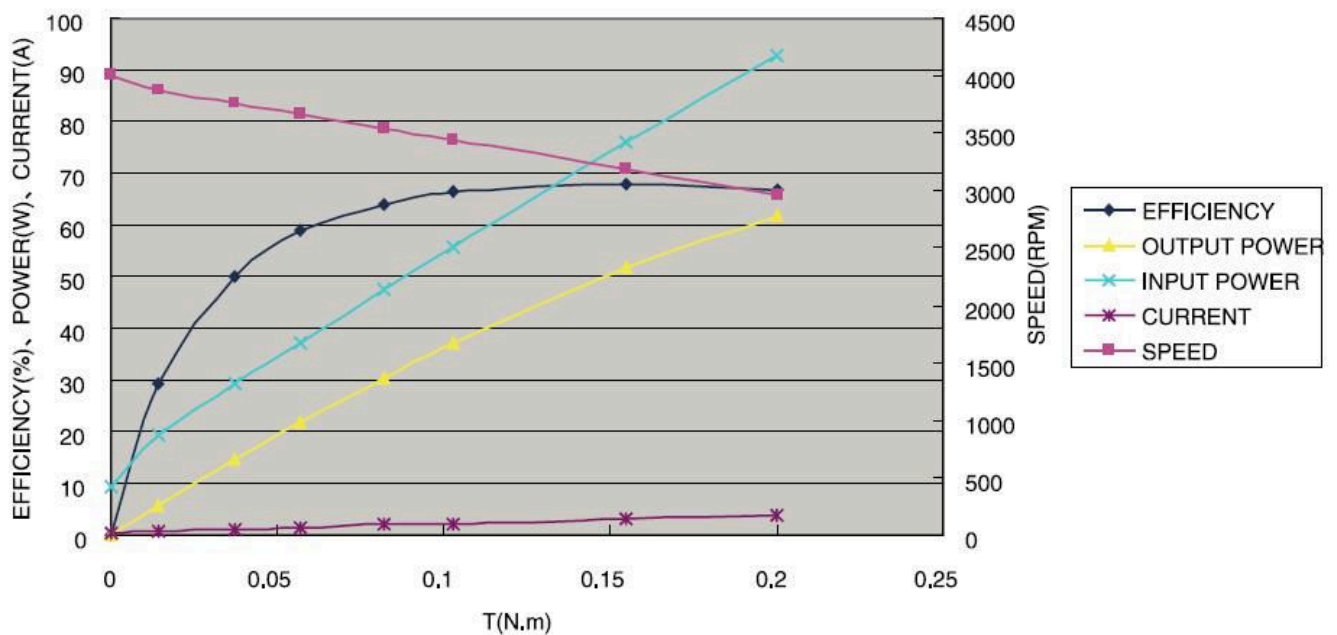
# 57mm S Series BLDC Motor

## Specification

Model	M024BI0200-57S-59	M024BI0400-57S-80	M024BI0600-57S-101
Number of Poles	8	8	8
Number of Phases	3	3	3
Nominal Voltage (VDC)	24	24	24
Rated Speed (RPM)	3000	3000	3000
Continuous Torque (N · m)	0.2	0.4	0.6
Rated Current (A)	4.0	7.8	12.0
Output Power (W)	63	125	188
Peak Torque (N · m)	0.6	1.2	1.8
Peak Current (A)	12	23.5	36
Torque Constant (N · m/A)	0.065	0.066	0.066
Back EMF (V/KRPM)	6.23	6.3	6.3
Rotor Inertia (g · cm <sup>2</sup> )	120	170	220
Body Length (mm)	59	80	101
Weight (kg)	0.59	0.92	1.24

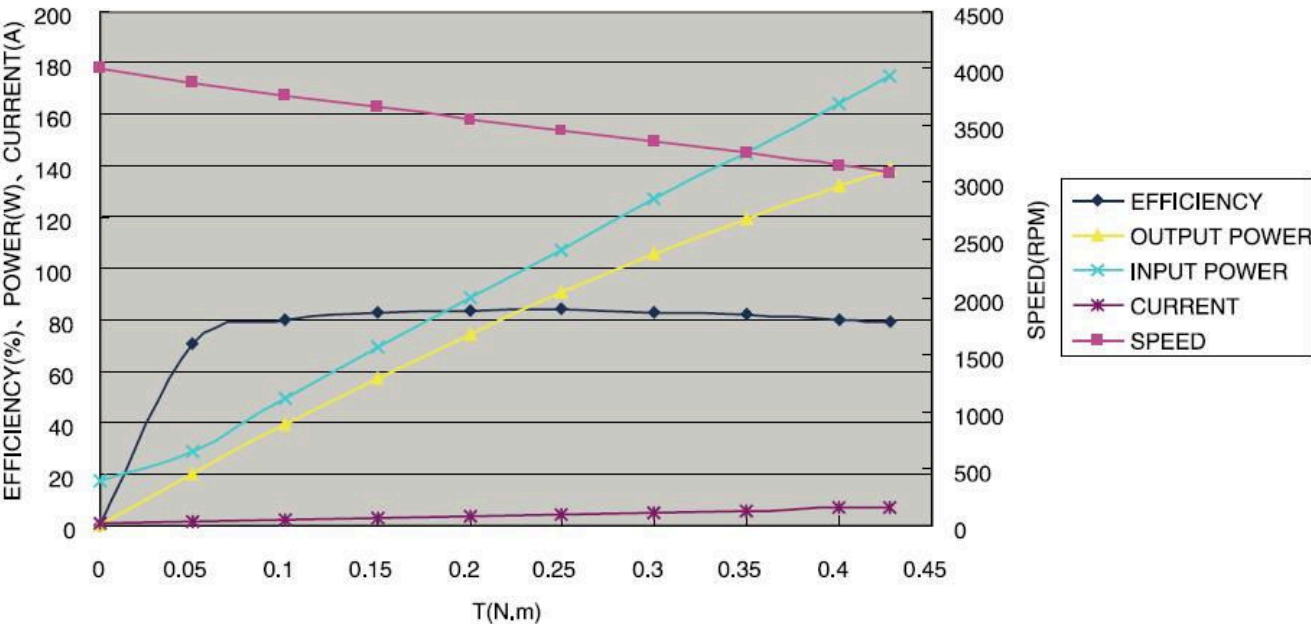
## Performance Curve

M024BI0200-57S-59, 24VDC, 63W



# 57mm S Series BLDC Motor

M024BI0400-57S-80, 24VDC, 125W



M024BI0600-57S-101, 24VDC, 188W

